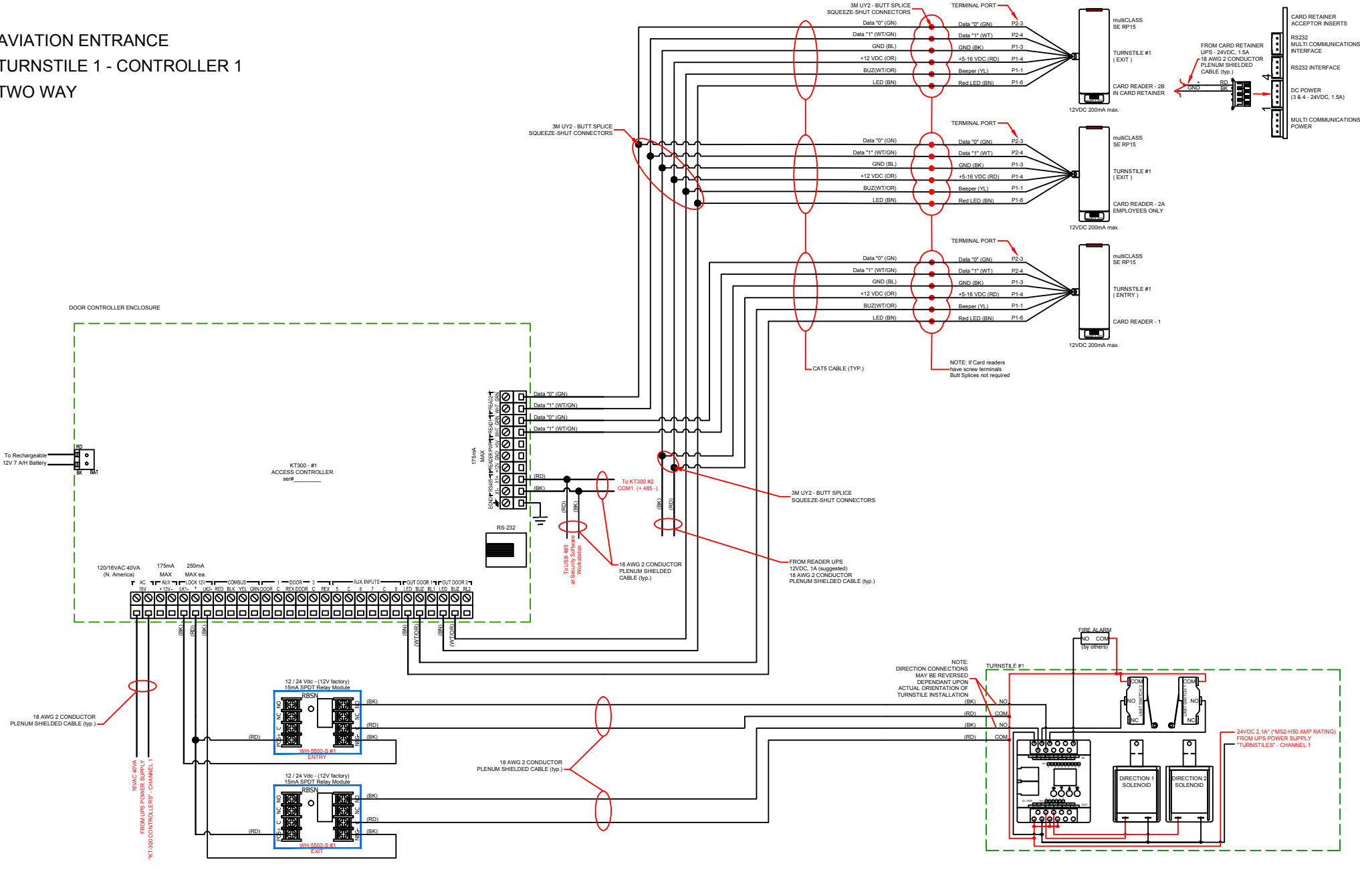


AVIATION ENTRANCE
TURNSTILE 1 - CONTROLLER 1
TWO WAY



Project Title:
Integrated Acces Control System
with RF Reader

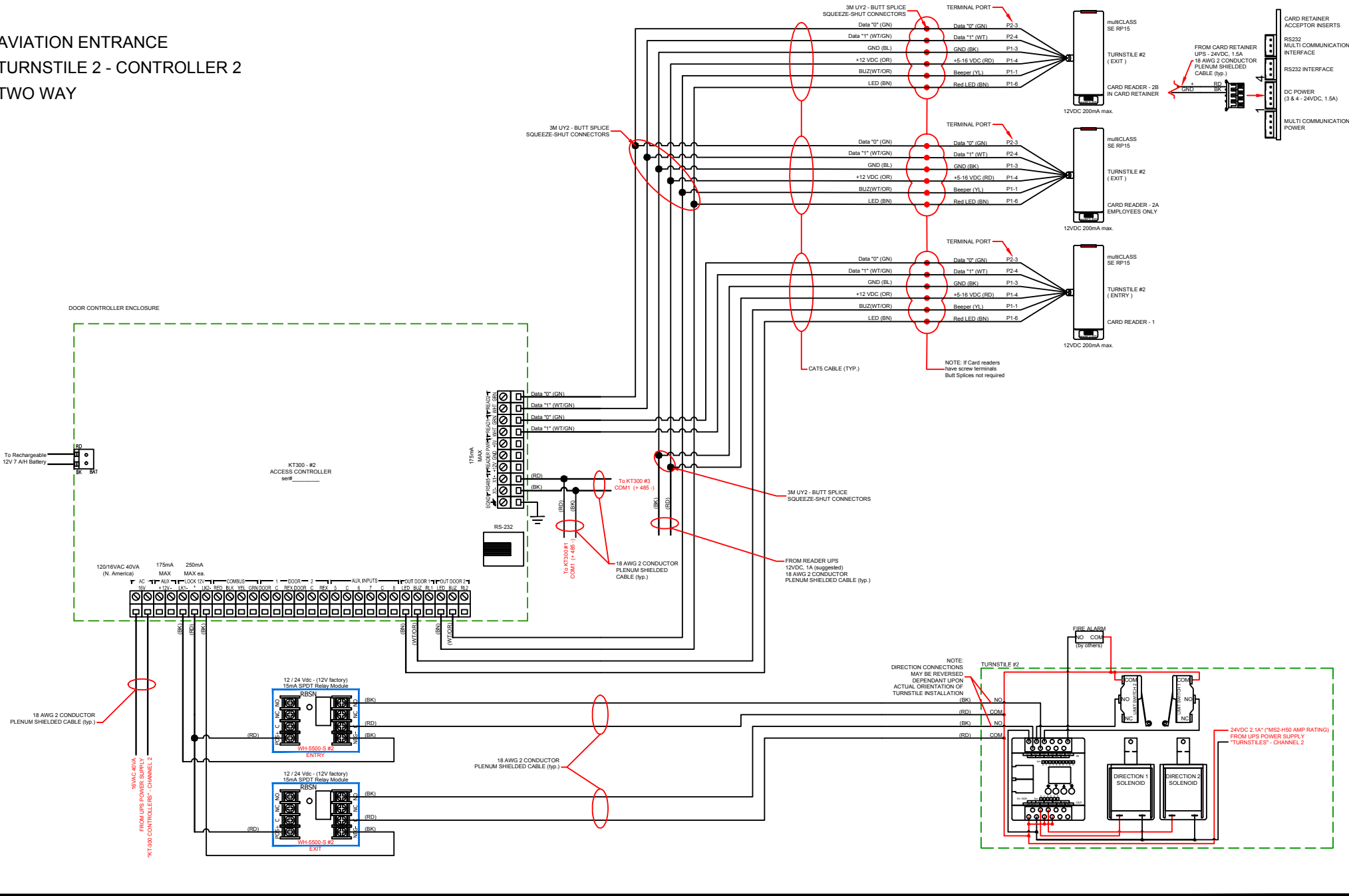
Project Location:
Federal Secretariat Complex
Phase 1 Abuja

Contractor:
Gazneftestroi Nig Ltd.

Schematic
Wiring Diagram
Page 1 of 19



AVIATION ENTRANCE
TURNSTILE 2 - CONTROLLER 2
TWO WAY



Project Title:
Integrated Acces Control System
with RF Reader

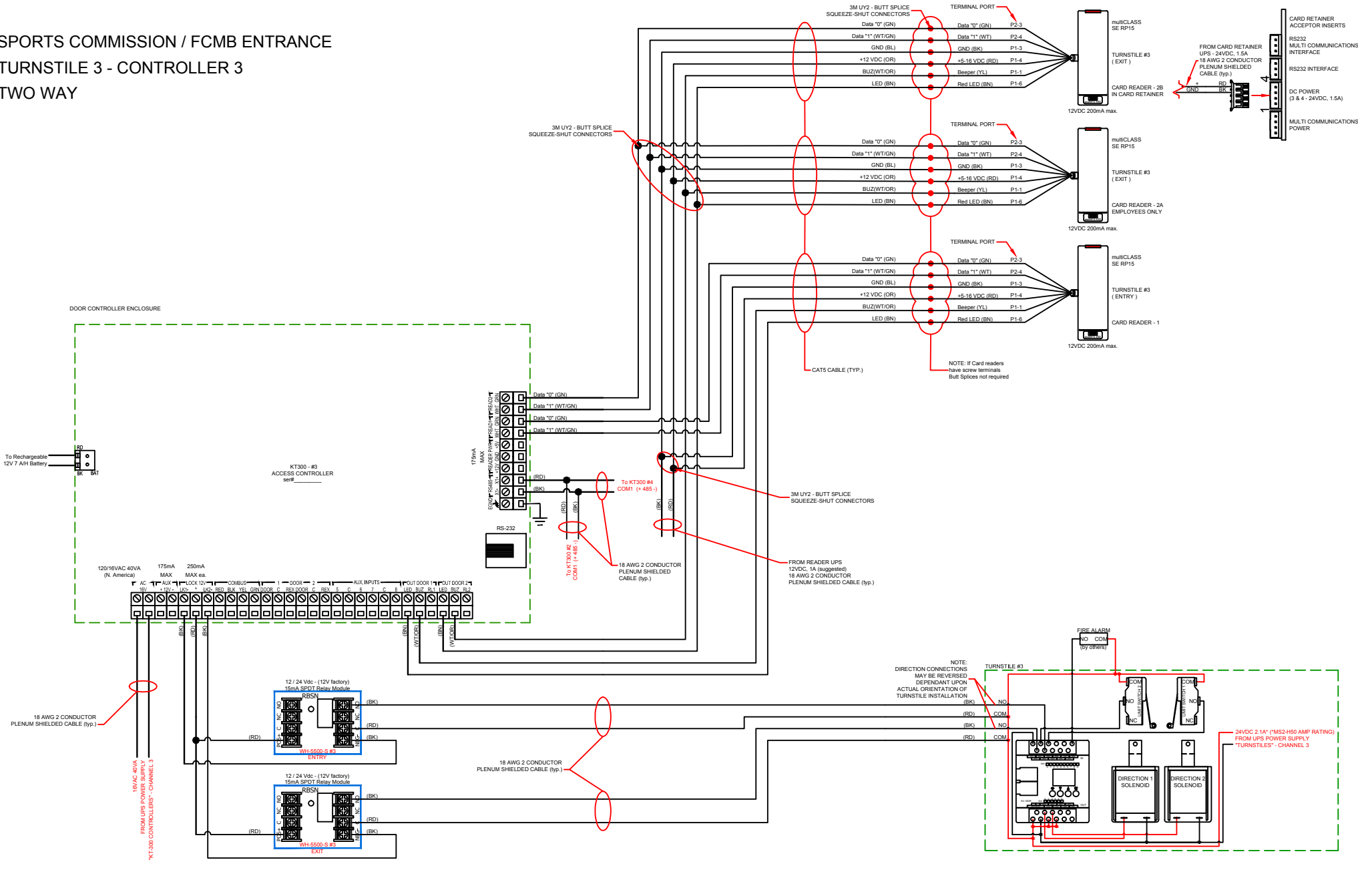
Project Location:
Federal Secretariat Complex
Phase 1 Abuja

Contractor:
Gazneftestroi Nig Ltd.

Schematic
Wiring Diagram
Page 2 of 19



**SPORTS COMMISSION / FCMB ENTRANCE
TURNSTILE 3 - CONTROLLER 3
TWO WAY**



Project Title:
Integrated Acces Control System with RF Reader

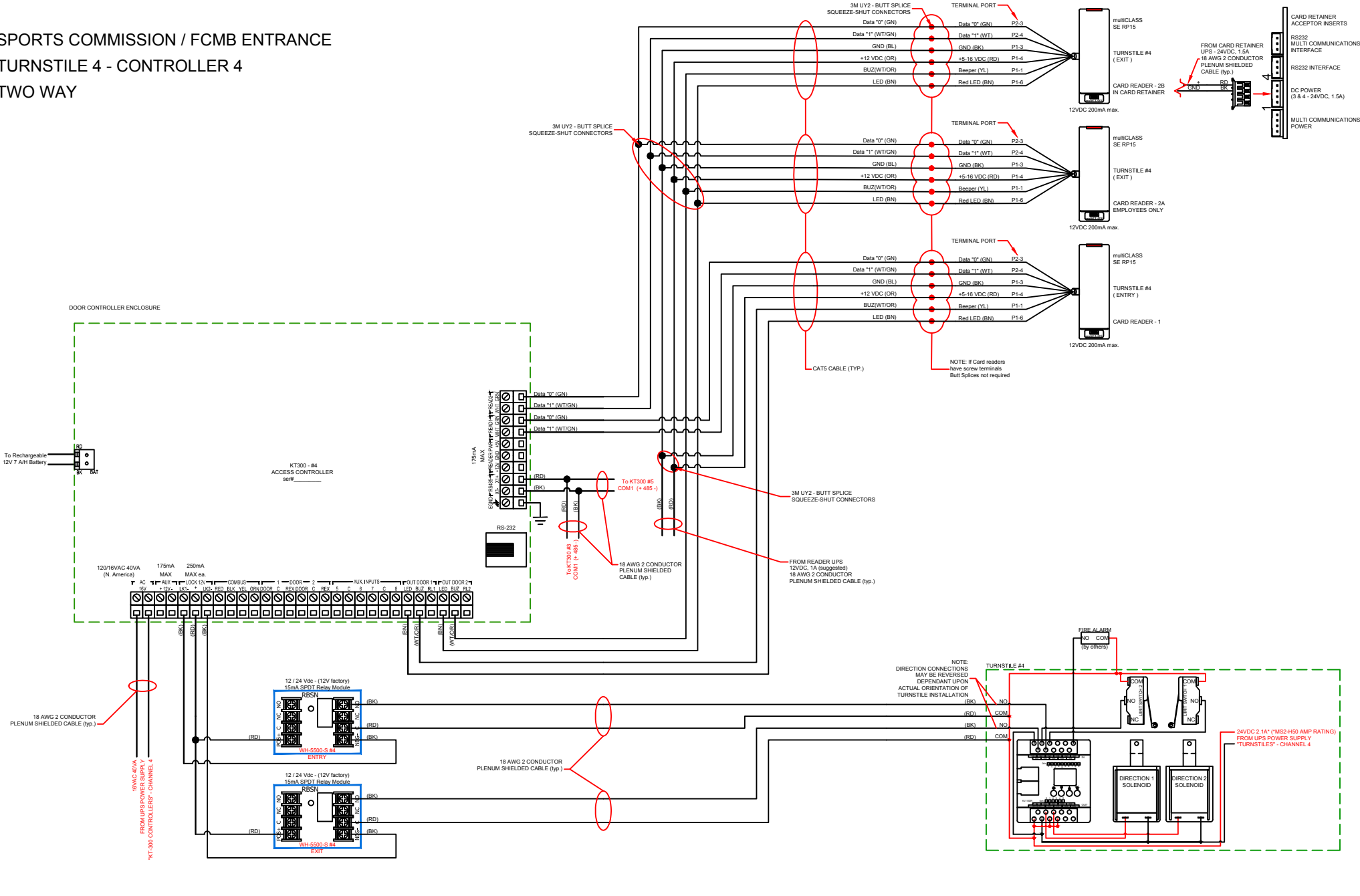
Project Location:
Federal Secretariat Complex Phase 1 Abuja

Contractor:
Gazneftestroi Nig Ltd.

Schematic
Wiring Diagram
Page 3 of 19



SPORTS COMMISSION / FCMB ENTRANCE
TURNSTILE 4 - CONTROLLER 4
TWO WAY

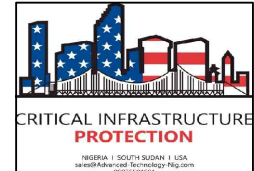


Project Title:
Integrated Acces Control System with RF Reader

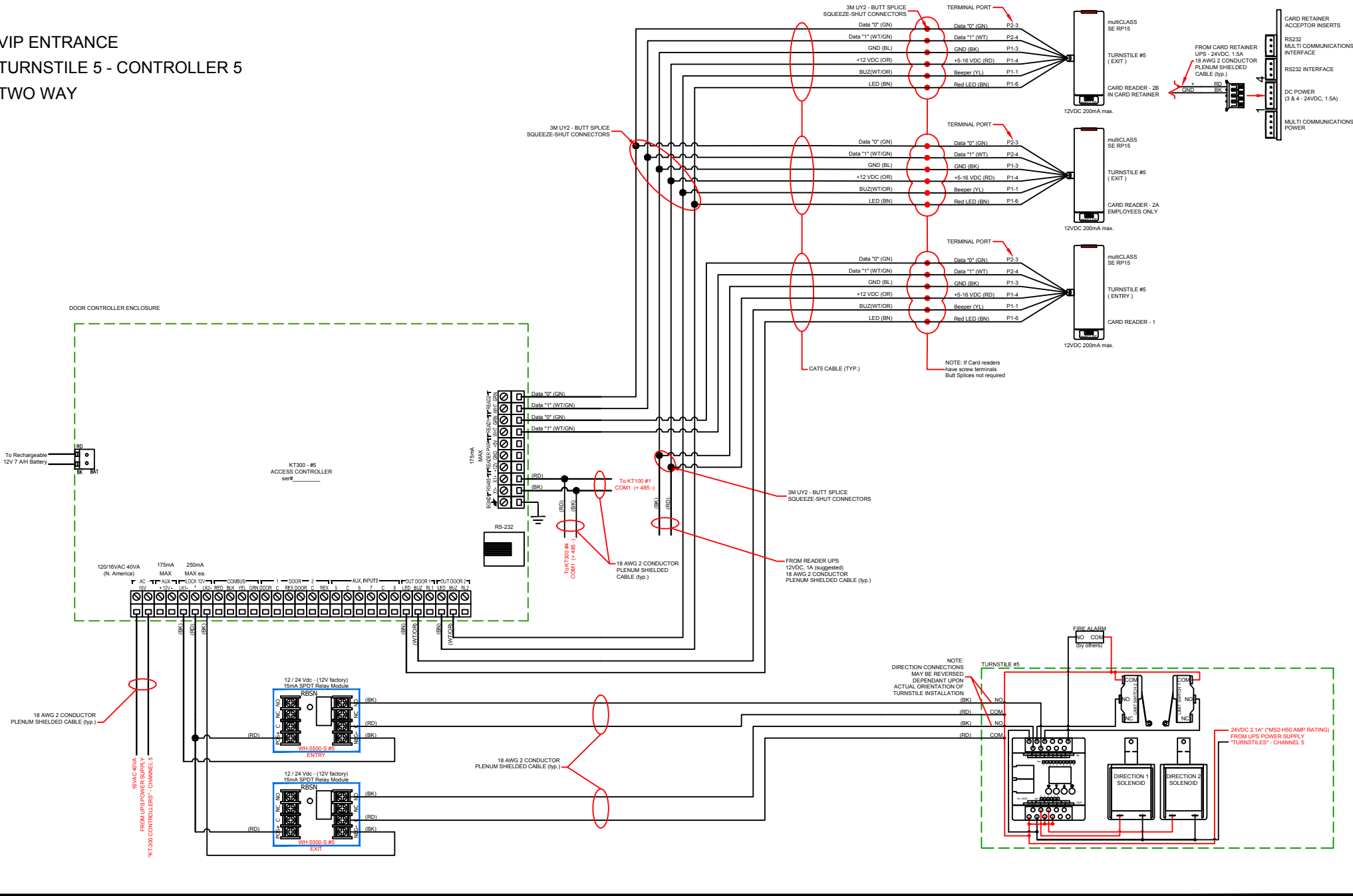
Project Location:
Federal Secretariat Complex Phase 1 Abuja

Contractor:
Gazneftestroi Nig Ltd.

Schematic
Wiring Diagram
Page 4 of 19



VIP ENTRANCE
TURNSTILE 5 - CONTROLLER 5
TWO WAY



Project Title:
Integrated Access Control System
with RF Reader

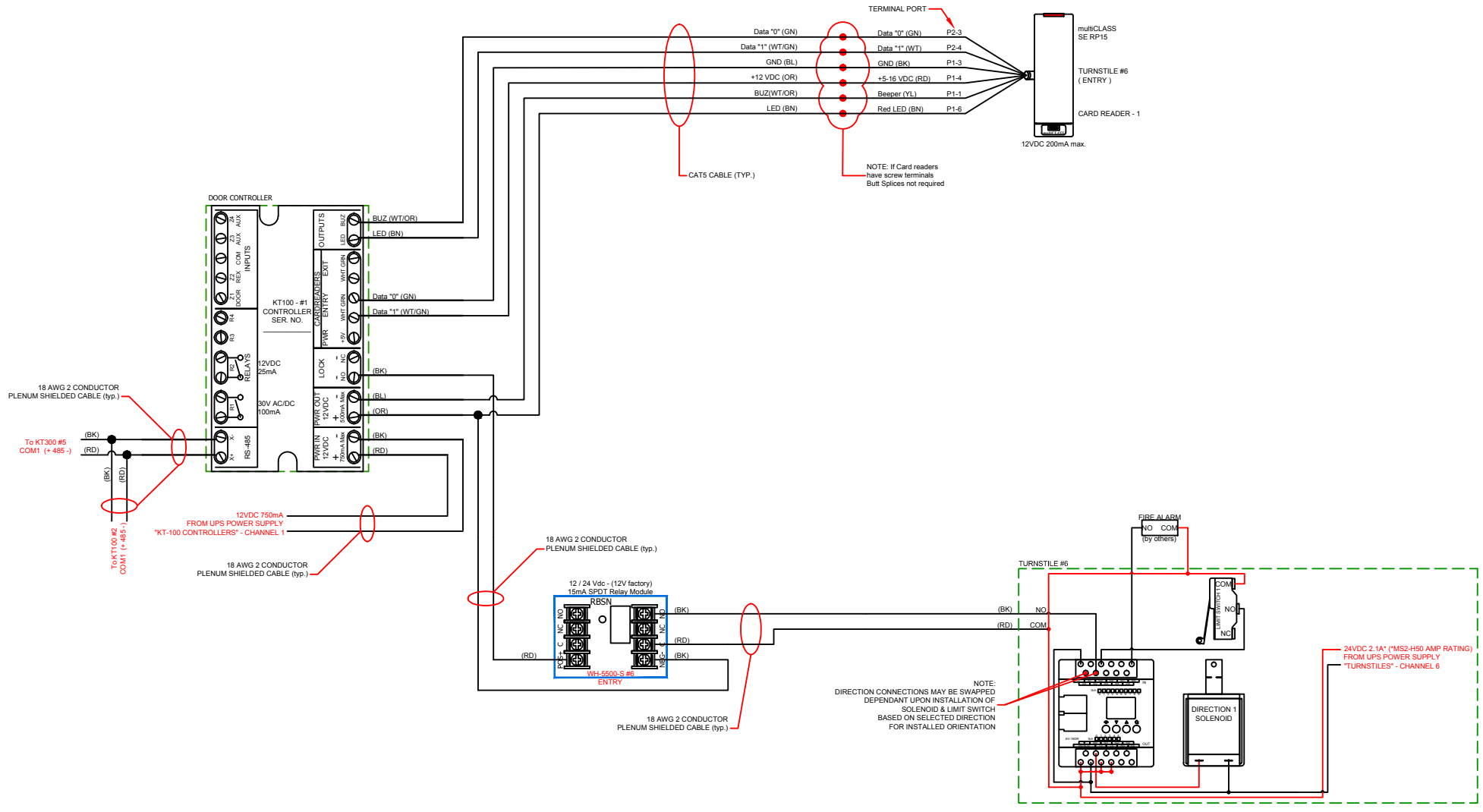
Project Location:
Federal Secretariat Complex
Phase 1 Abuja

Contractor:
Gazneftestroi Nig Ltd.

Schematic:
Wiring Diagram
Page 5 of 19



LOBBY CENTER #1
 TURNSTILE 6 - CONTROLLER 6
 ENTRY ONLY

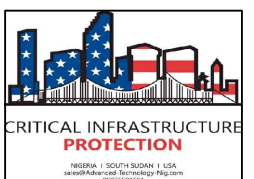


Project Title:
 Integrated Acces Control System
 with RF Reader

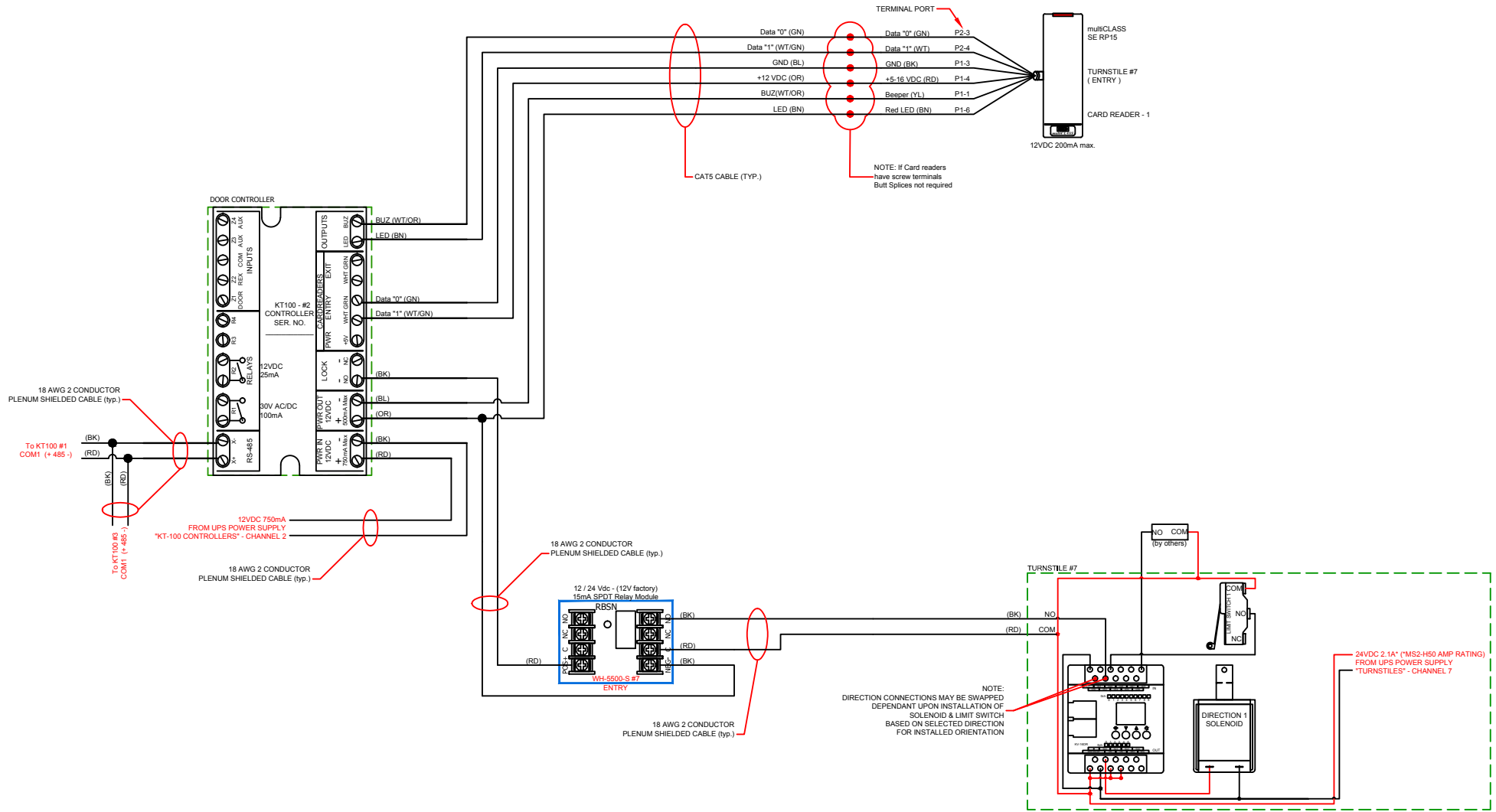
Project Location:
 Federal Secretariat Complex
 Phase 1 Abuja

Contractor:
 Gazneftestroi Nig Ltd.

Schematic
 Wiring Diagram
 Page 6 of 19



LOBBY CENTER #2
 TURNSTILE 7 - CONTROLLER 7
 ENTRY ONLY

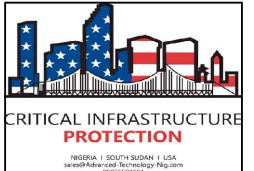


Project Title:
 Integrated Acces Control System
 with RF Reader

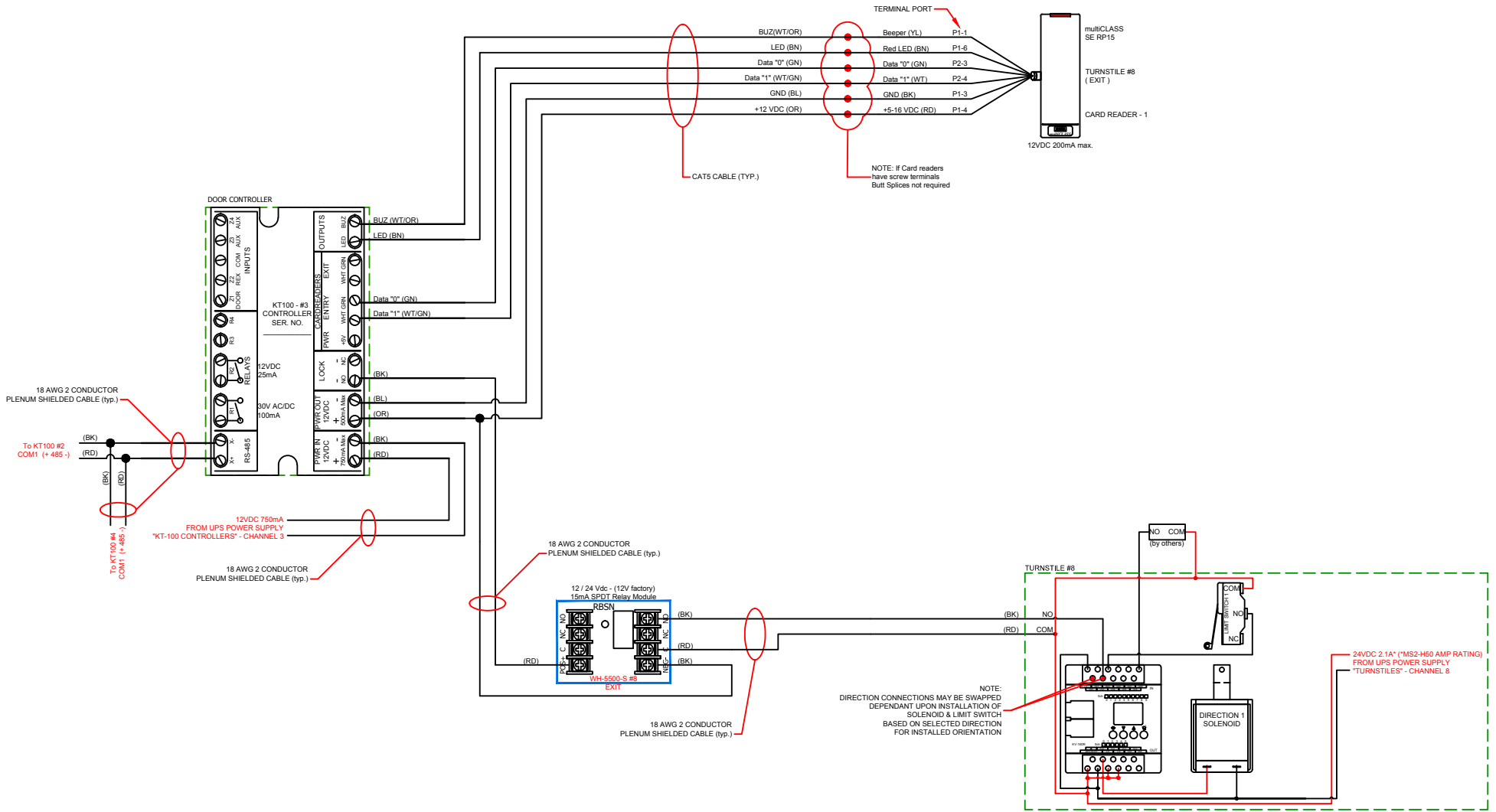
Project Location:
 Federal Secretariat Complex
 Phase 1 Abuja

Contractor:
 Gazneftestroi Nig Ltd.

Schematic
 Wiring Diagram
 Page 7 of 19



ID CARD #1
 TURNSTILE 8 - CONTROLLER 8
 EXIT ONLY



Project Title:

Integrated Acces Control System with RF Reader

Project Location:

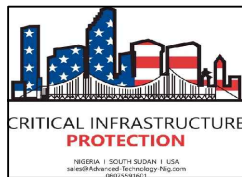
Federal Secretariat Complex Phase 1 Abuja

Contractor:

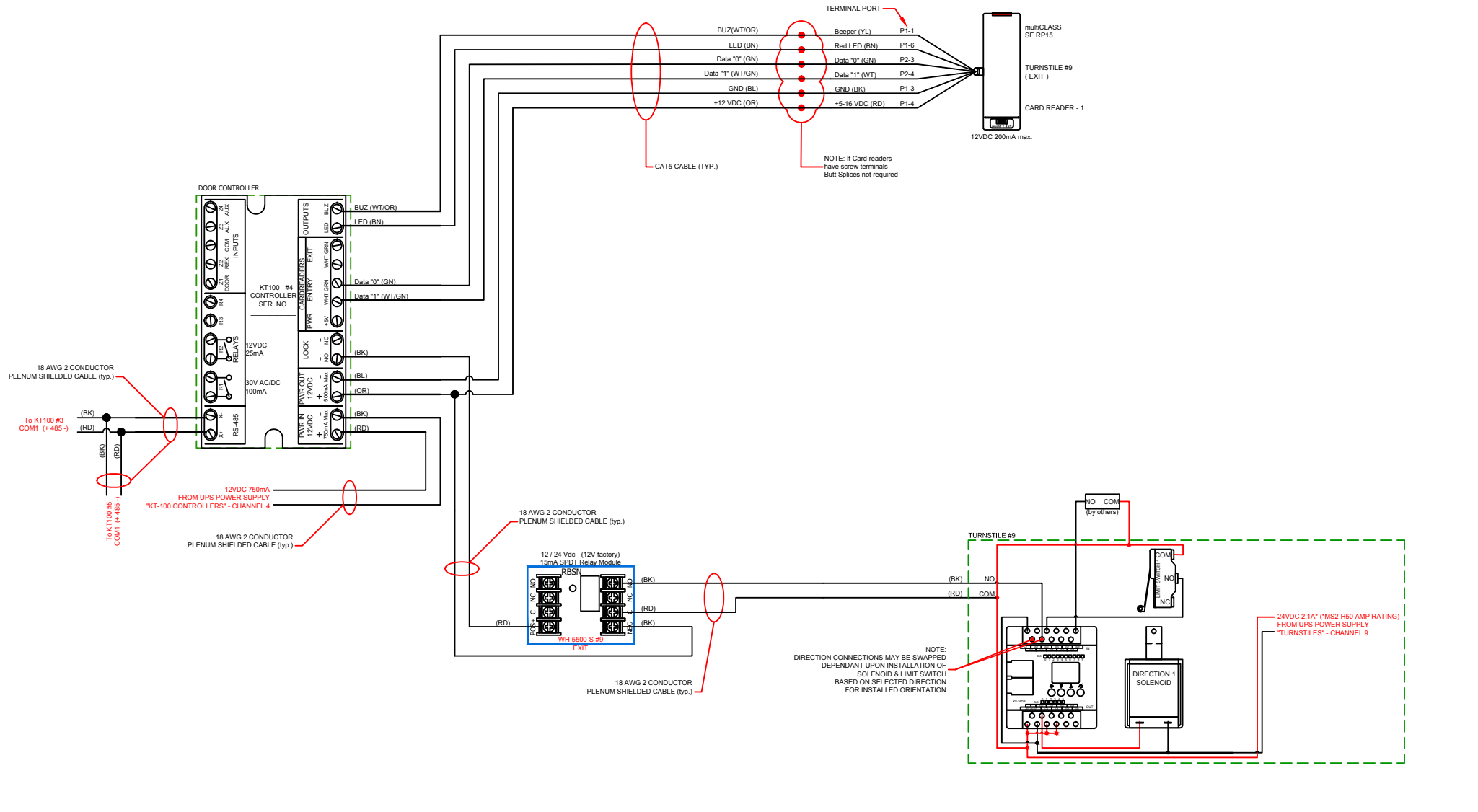
Gazneftestroi Nig Ltd.

Schematic

Wiring Diagram Page 8 of 19



ID CARD #2
 TURNSTILE 9 - CONTROLLER 9
 EXIT ONLY

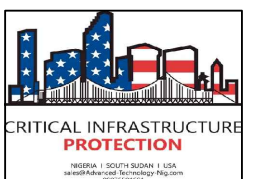


Project Title:
 Integrated Acces Control System
 with RF Reader

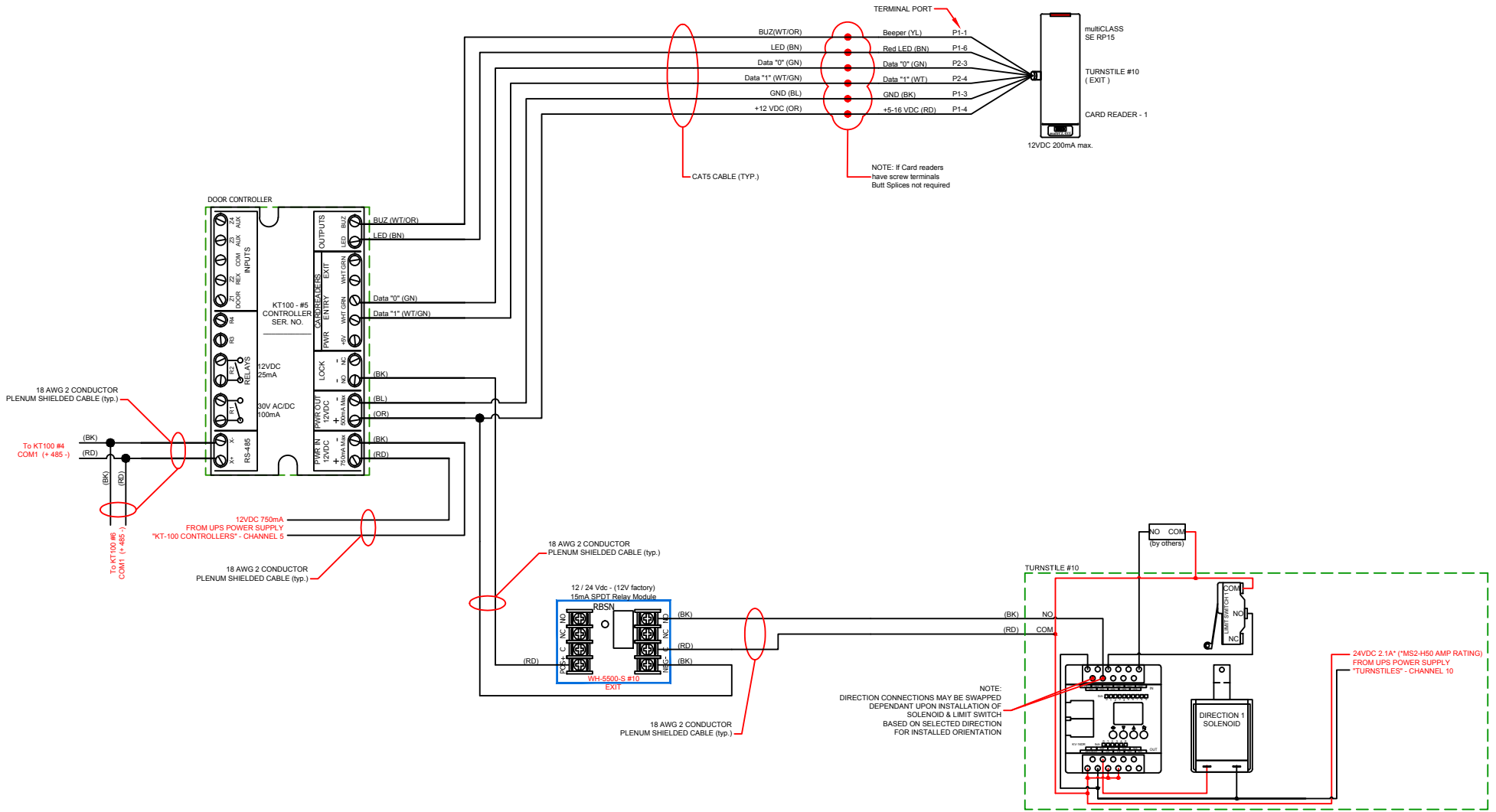
Project Location:
 Federal Secretariat Complex
 Phase 1 Abuja

Contractor:
 Gazneftestroi Nig Ltd.

Schematic
 Wiring Diagram
 Page 9 of 19



STAIRWAY LEFT
TURNSTILE 10 - CONTROLLER 10
EXIT ONLY



Project Title:

Integrated Acces Control System with RF Reader

Project Location:

Federal Secretariat Complex Phase 1 Abuja

Contractor:

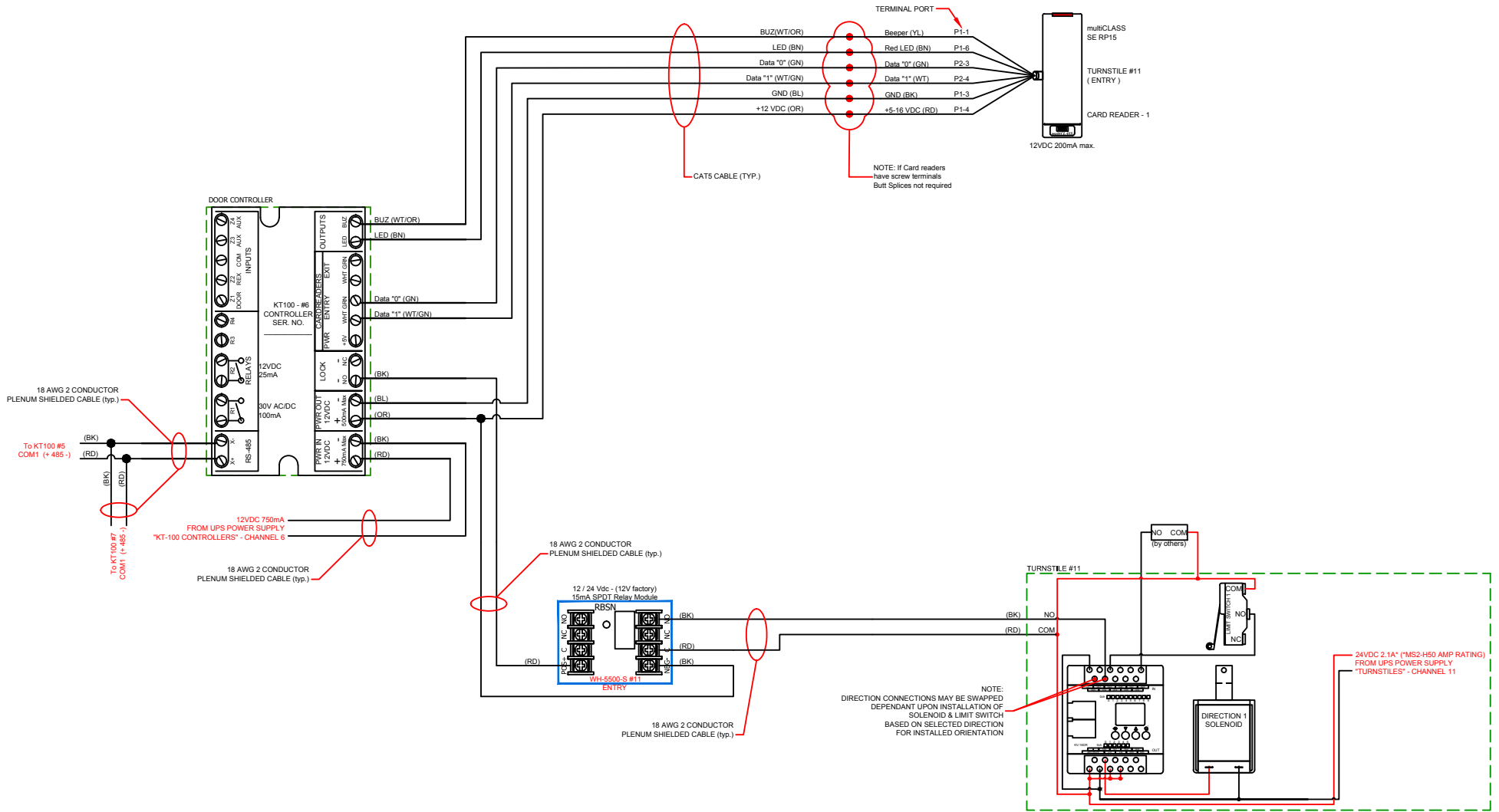
Gazneftestroi Nig Ltd.

Schematic

**Wiring Diagram
Page 10 of 19**



STARIWAY RIGHT
 TURNSTILE 11 - CONTROLLER 11
 ENTRY ONLY



Project Title:

Integrated Acces Control System with RF Reader

Project Location:

Federal Secretariat Complex Phase 1 Abuja

Contractor:

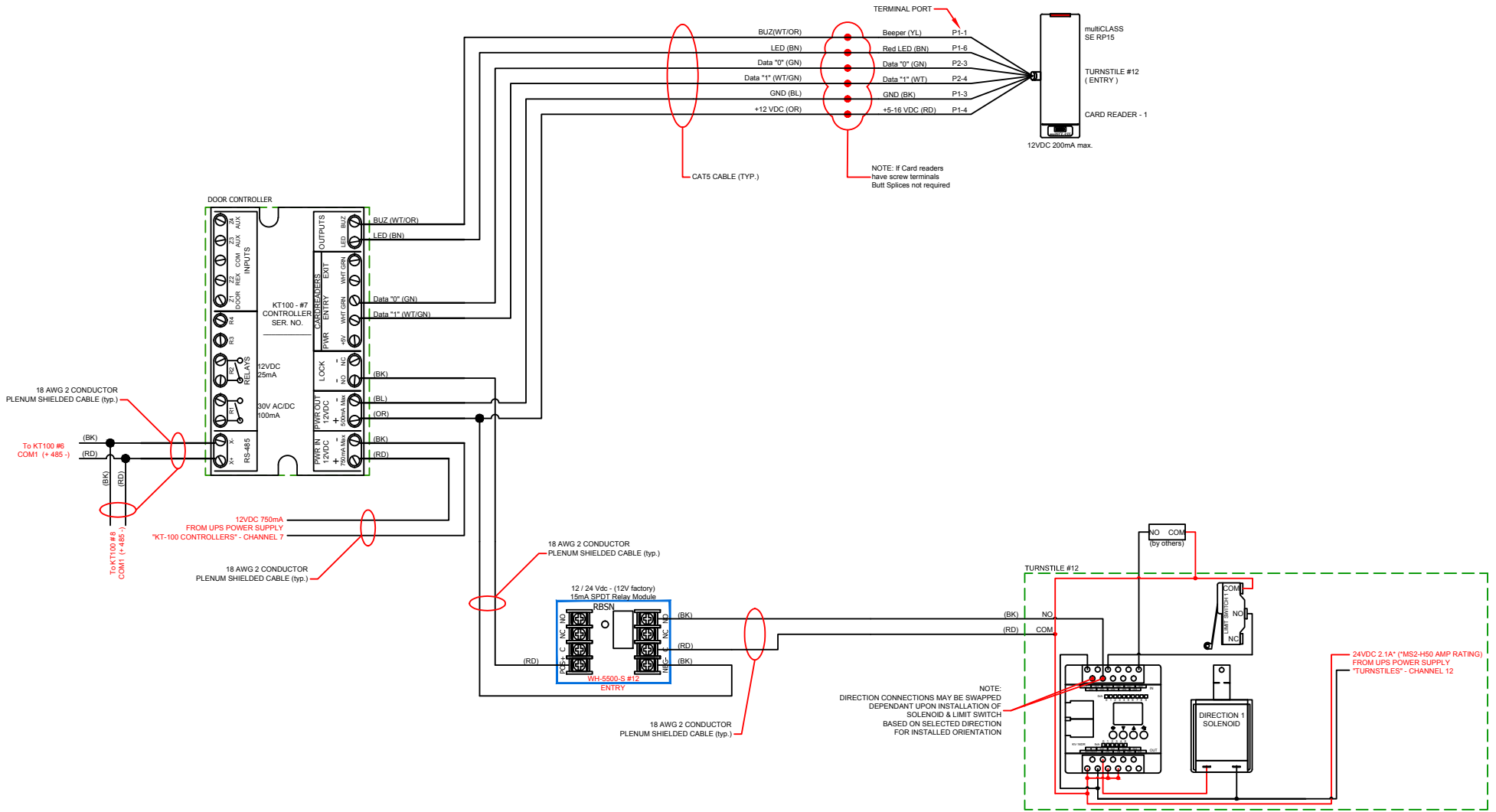
Gazneftestroi Nig Ltd.

Schematic

Wiring Diagram Page 11 of 19



ATM #1
 TURNSTILE 12 - CONTROLLER 12
 ENTRY ONLY



Project Title:

Integrated Acces Control System with RF Reader

Project Location:

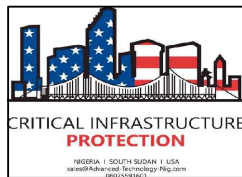
Federal Secretariat Complex Phase 1 Abuja

Contractor:

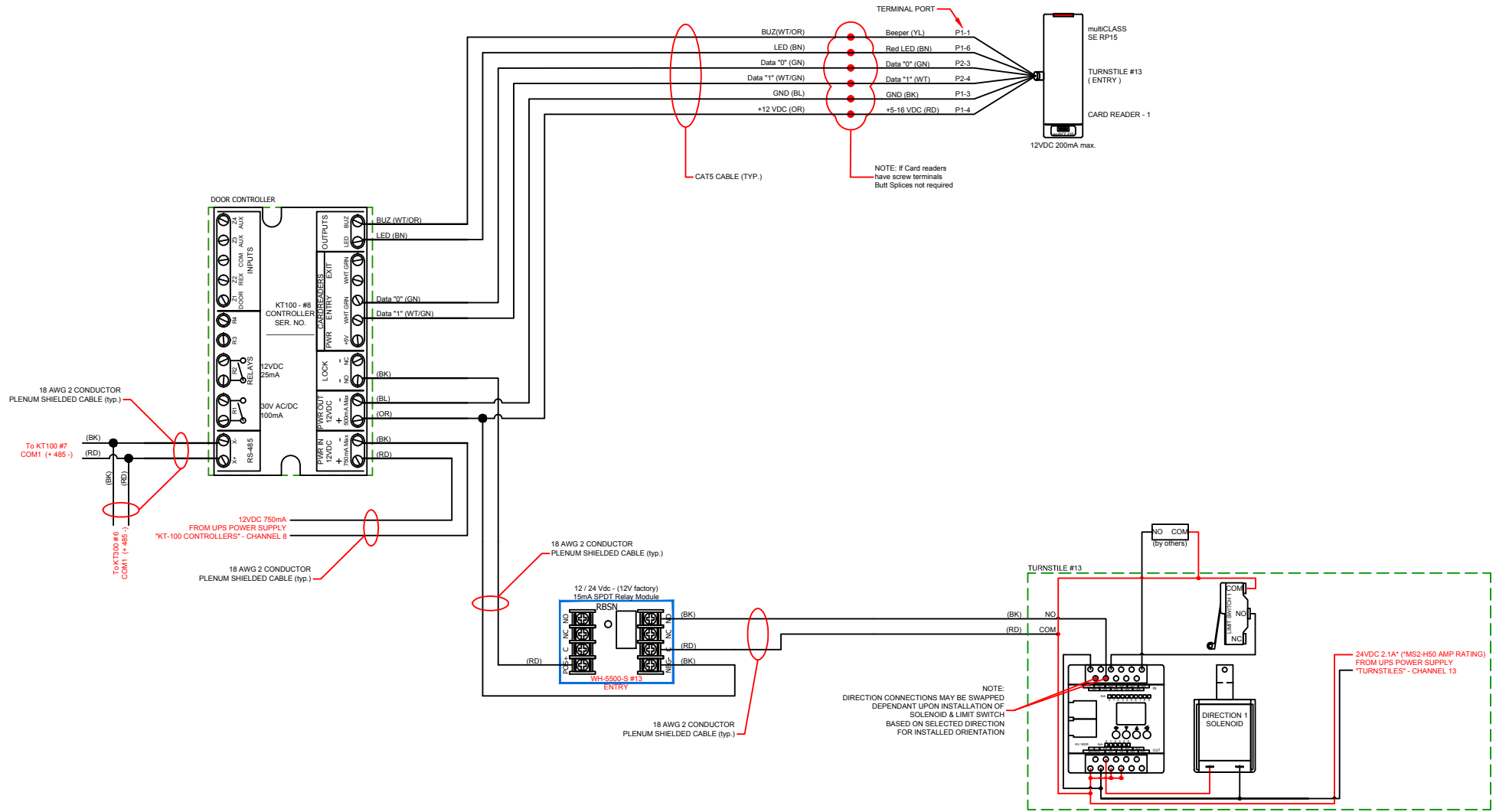
Gazneftestroi Nig Ltd.

Schematic

Wiring Diagram Page 12 of 19



ATM #2
 TURNSTILE 13 - CONTROLLER 13
 ENTRY ONLY

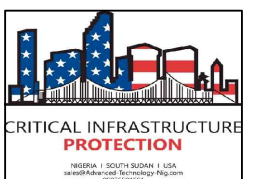


Project Title:
 Integrated Acces Control System
 with RF Reader

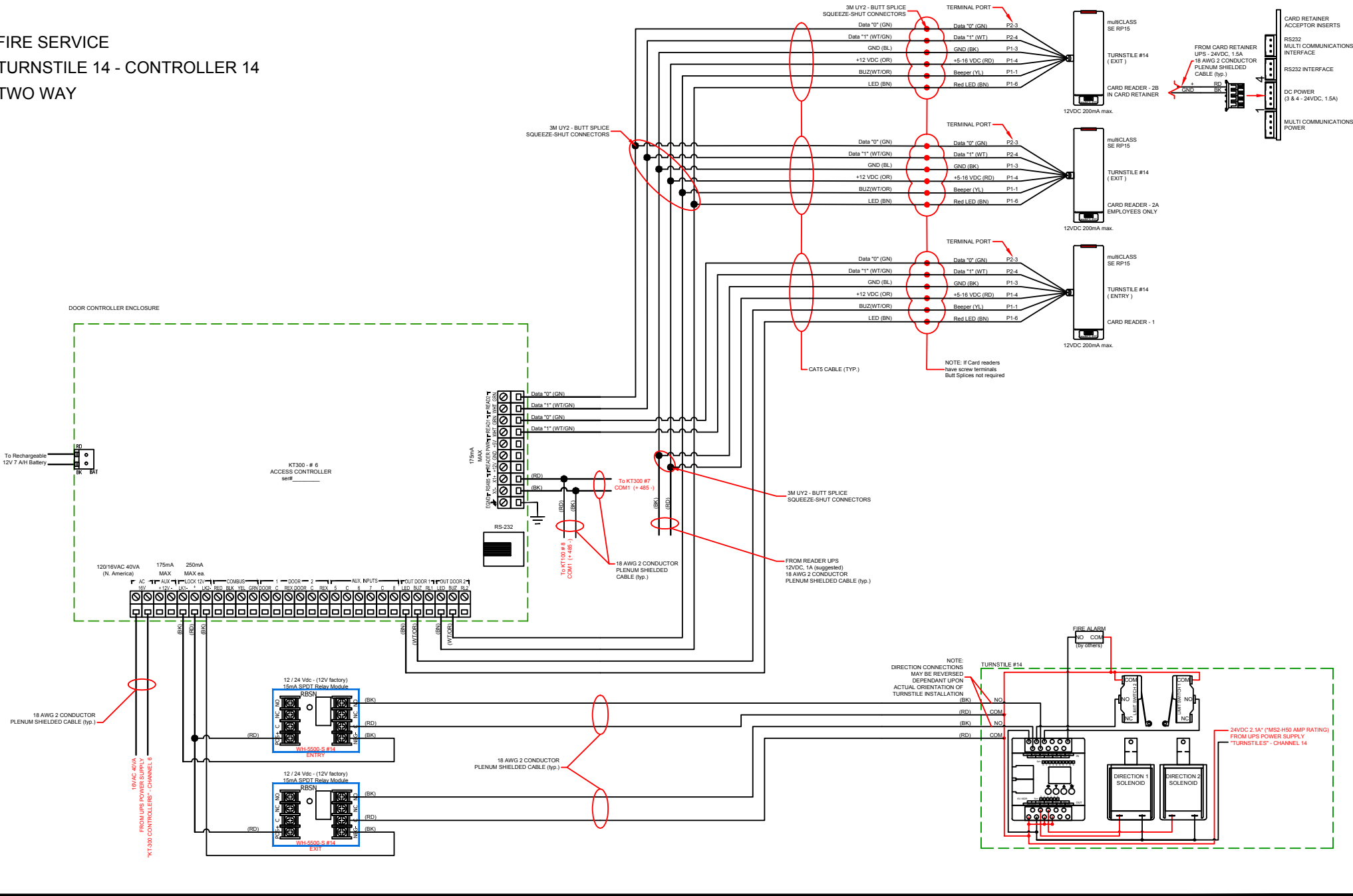
Project Location:
 Federal Secretariat Complex
 Phase 1 Abuja

Contractor:
 Gazneftestroi Nig Ltd.

Schematic
 Wiring Diagram
 Page 13 of 19



**FIRE SERVICE
TURNSTILE 14 - CONTROLLER 14
TWO WAY**



Project Title:
Integrated Acces Control System
with RF Reader

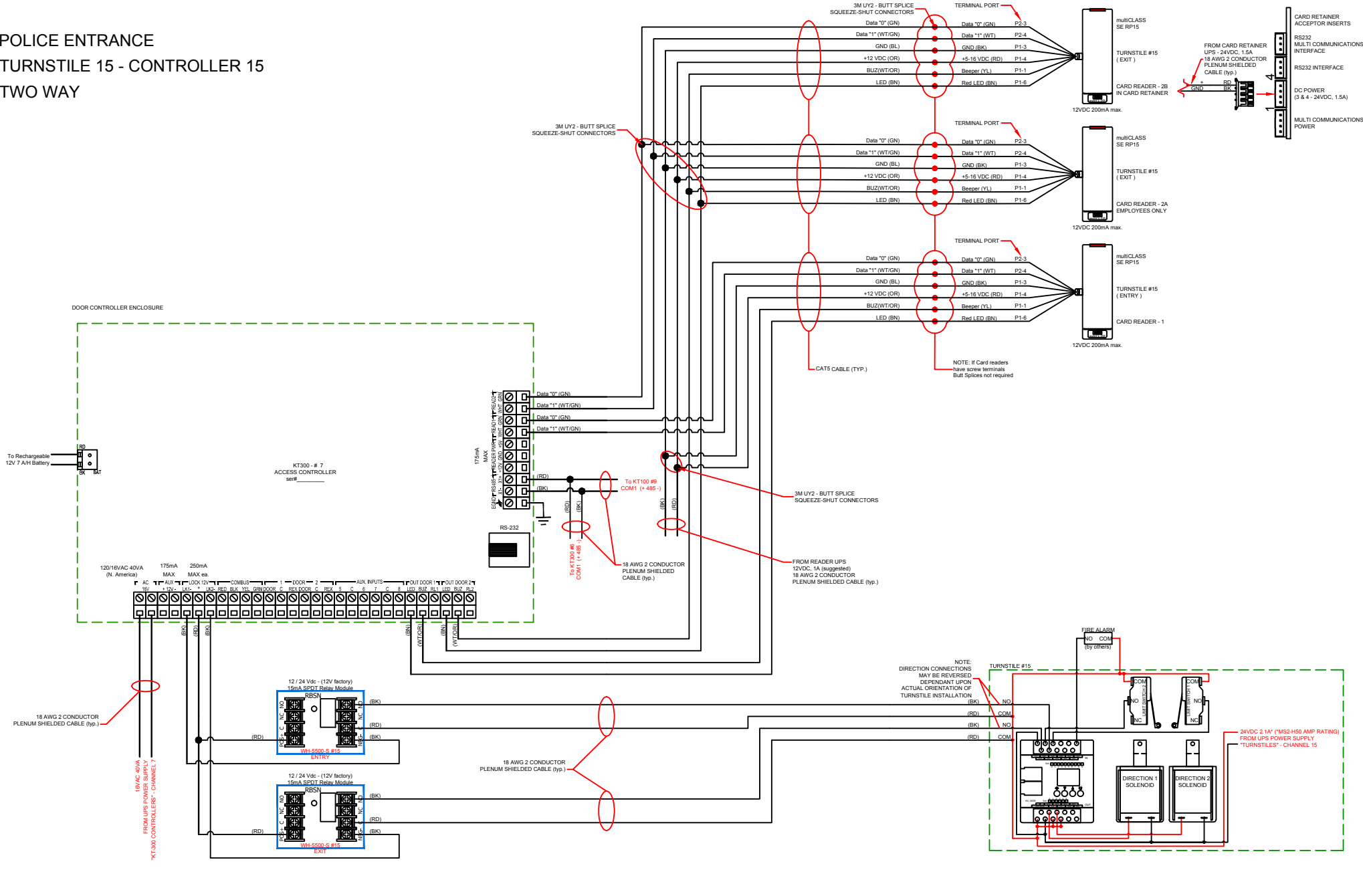
Project Location:
Federal Secretariat Complex
Phase 1 Abuja

Contractor:
Gazneftestroi Nig Ltd.

Schematic
Wiring Diagram
Page 14 of 19



POLICE ENTRANCE
TURNSTILE 15 - CONTROLLER 15
TWO WAY



Project Title:

**Integrated Acces Control System
with RF Reader**

Project Location:

**Federal Secretariat Complex
Phase 1 Abuja**

Contractor:

Gazneftestroi Nig Ltd.

Schematic

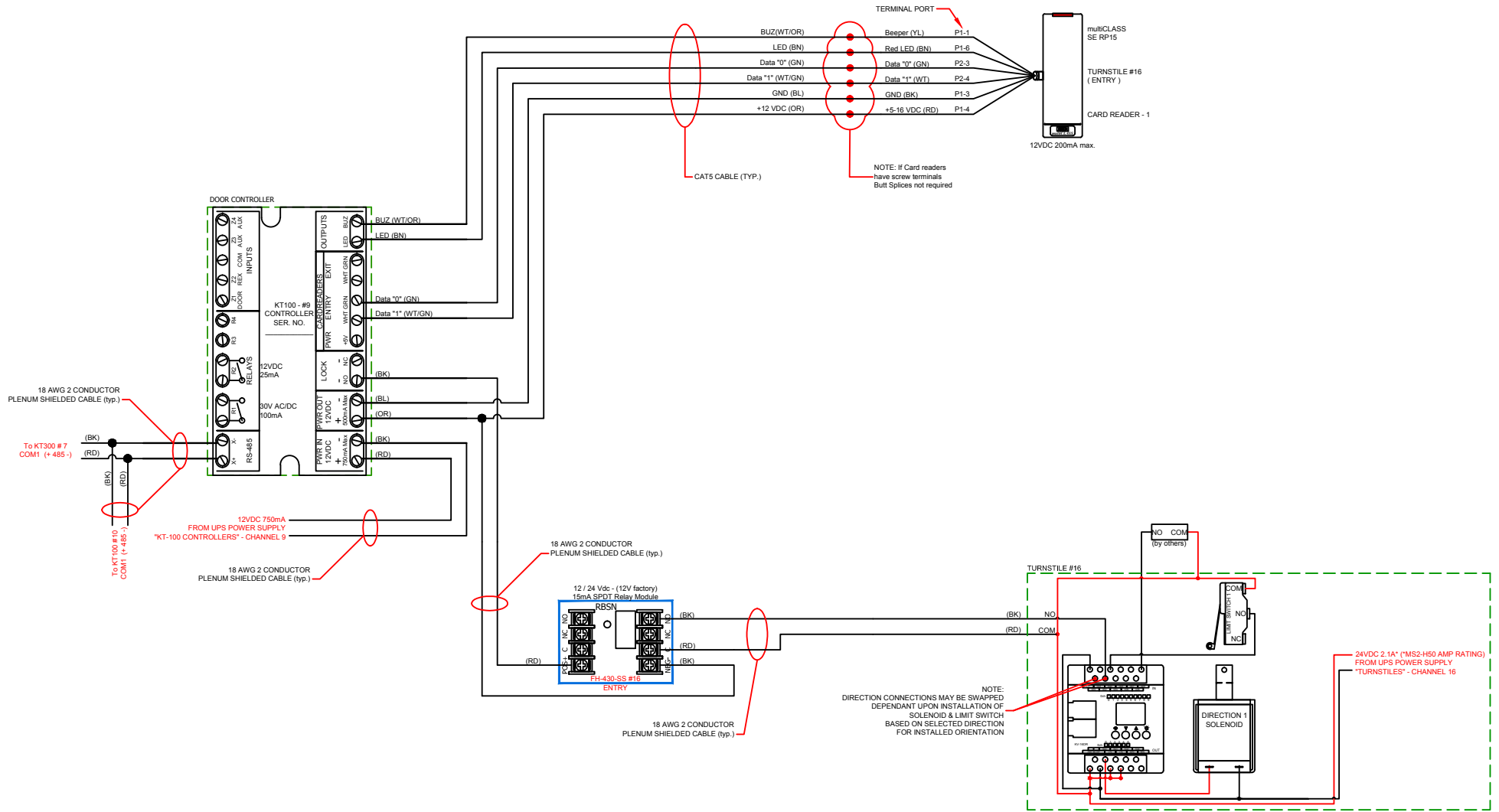
**Wiring Diagram
Page 15 of 19**



**CRITICAL INFRASTRUCTURE
PROTECTION**

NGERIA | SOUTH SUDAN | USA
We offer Advanced Resiliency Programs
for your organization

OUTDOOR ENTRANCE #1
 TURNSTILE 16 - CONTROLLER 16
 ENTRY ONLY



Project Title:

Integrated Acces Control System with RF Reader

Project Location:

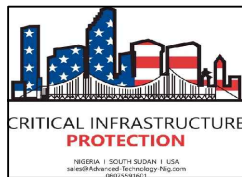
Federal Secretariat Complex Phase 1 Abuja

Contractor:

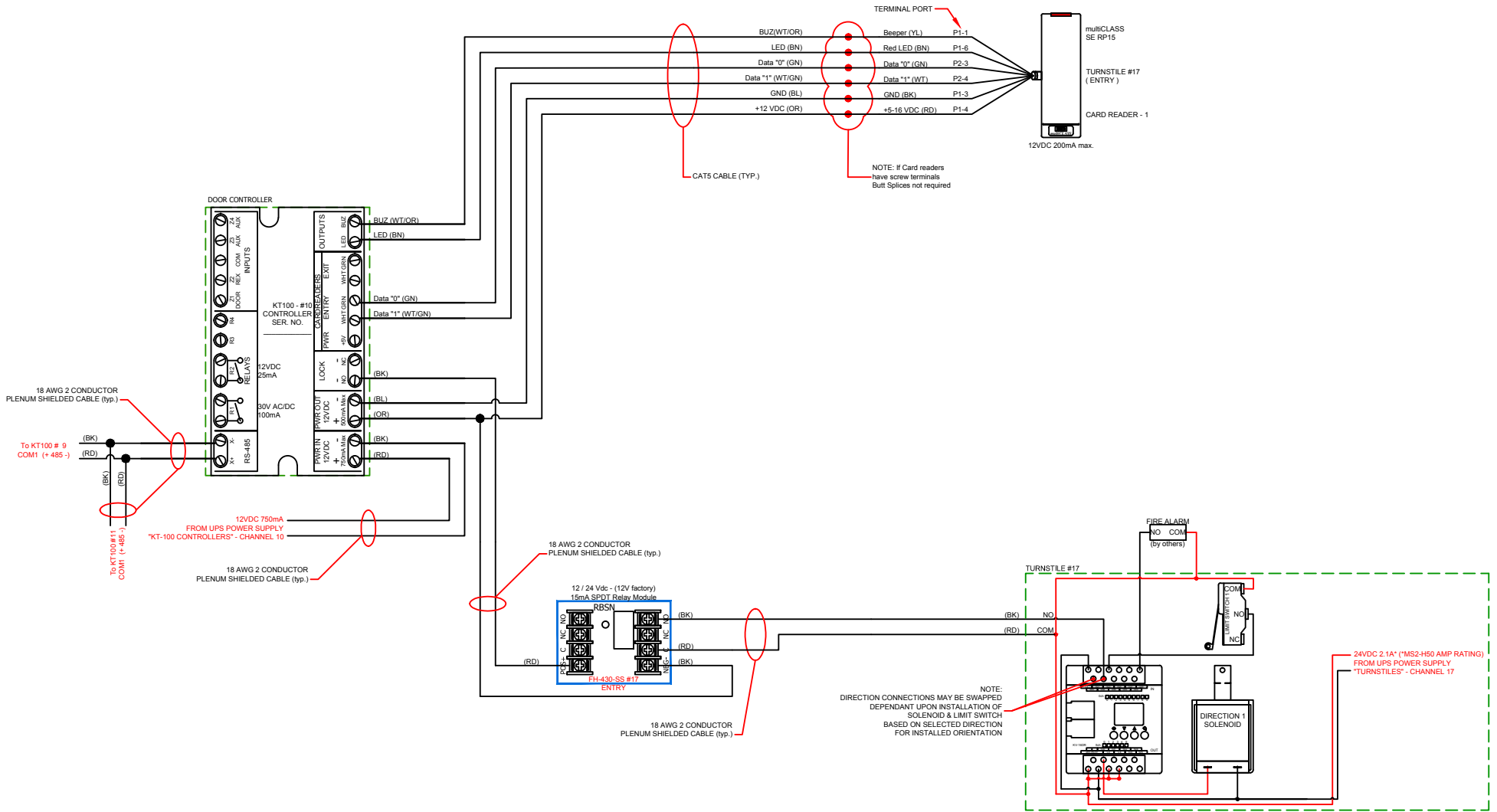
Gazneftestroi Nig Ltd.

Schematic

**Wiring Diagram
 Page 16 of 19**



OUTDOOR ENTRANCE #2
 TURNSTILE 17 - CONTROLLER 17
 ENTRY ONLY



Project Title:

Integrated Acces Control System with RF Reader

Project Location:

Federal Secretariat Complex Phase 1 Abuja

Contractor:

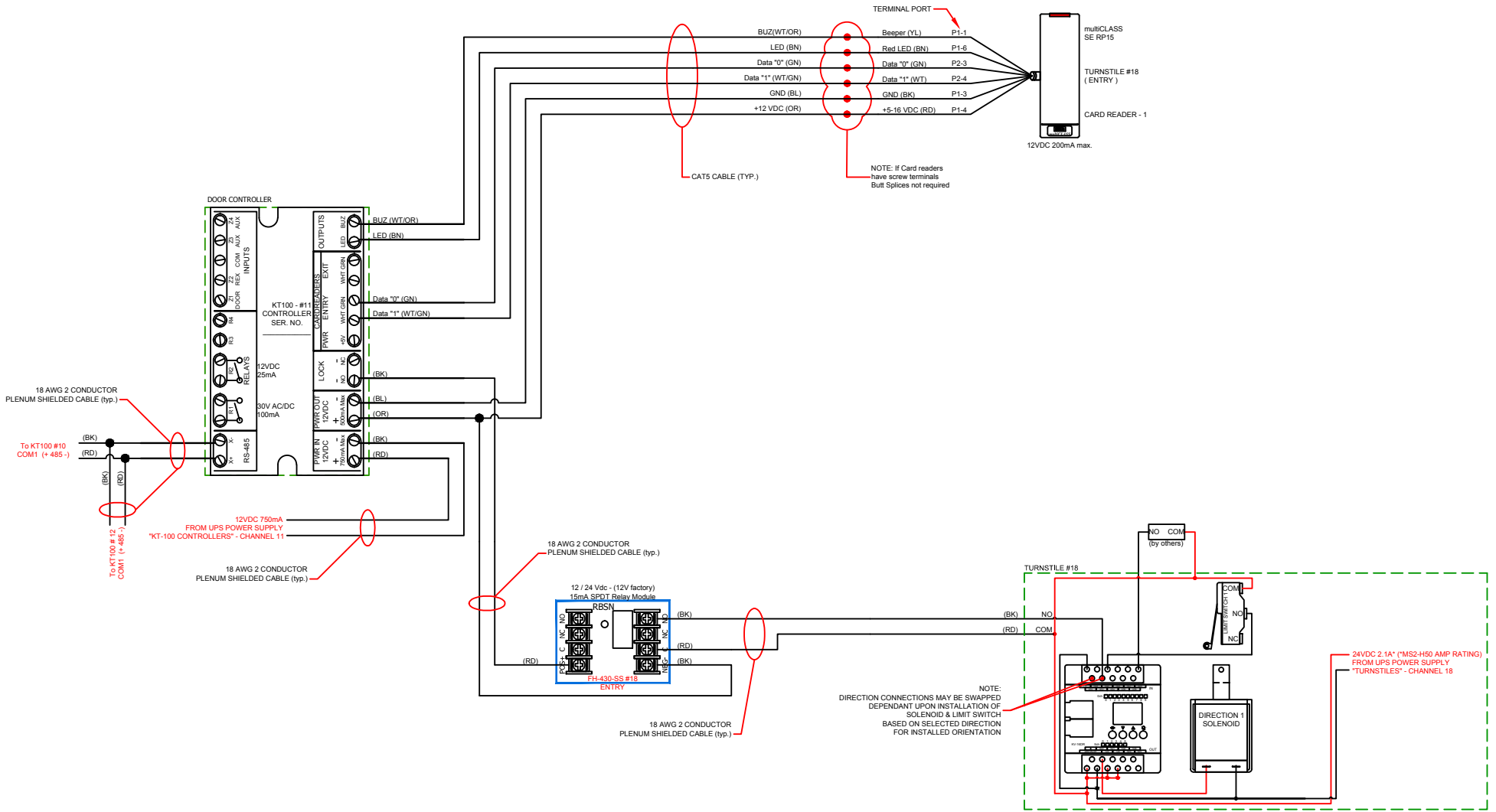
Gazneftestroi Nig Ltd.

Schematic

Wiring Diagram Page 17 of 19



OUTDOOR ENTRANCE #3
 TURNSTILE 18 - CONTROLLER 18
 ENTRY ONLY



Project Title:

Integrated Acces Control System with RF Reader

Project Location:

Federal Secretariat Complex Phase 1 Abuja

Contractor:

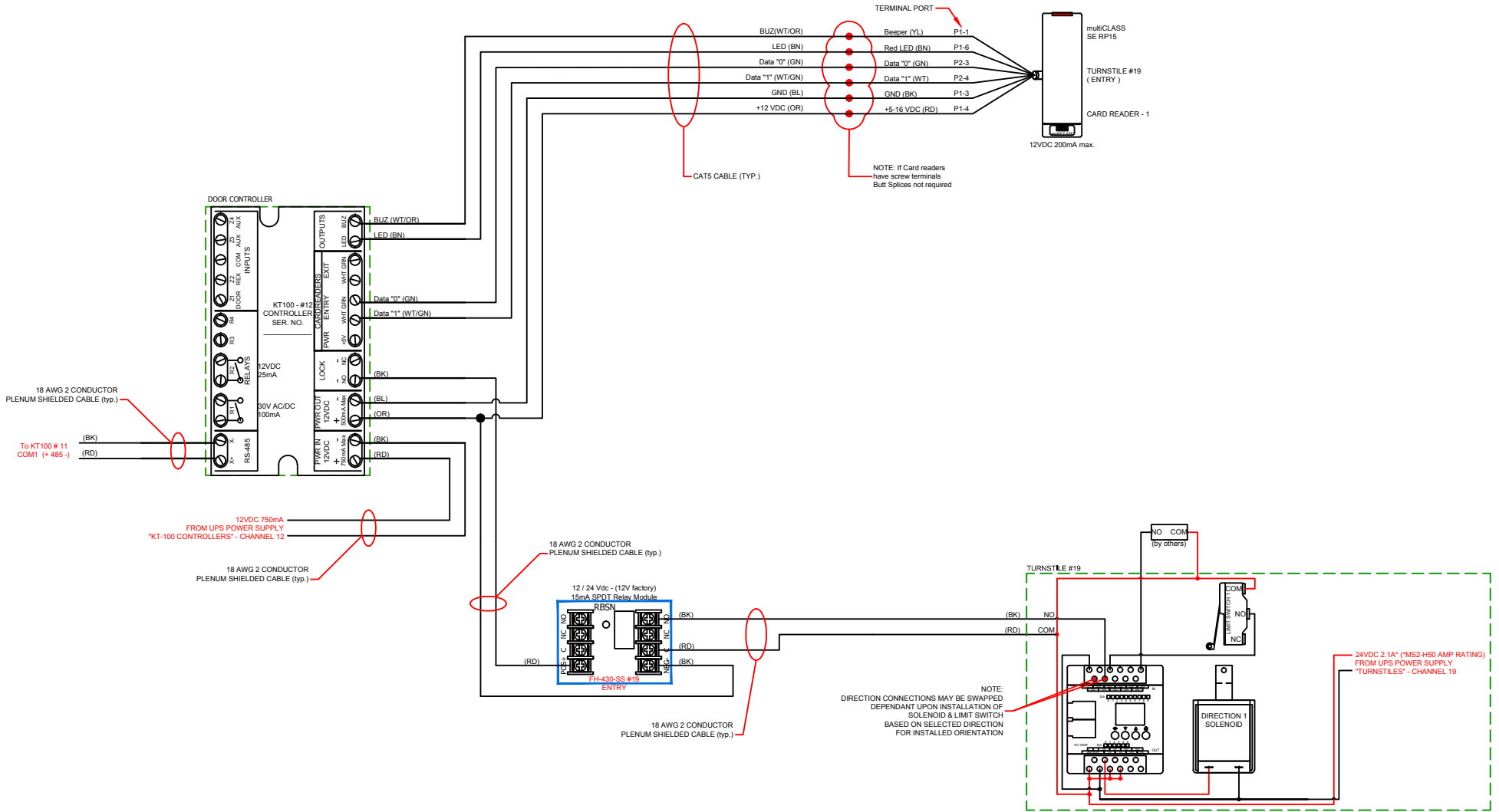
Gazneftestroi Nig Ltd.

Schematic

Wiring Diagram Page 18 of 19



OUTDOOR ENTRANCE #4
 TURNSTILE 19 - CONTROLLER 19
 ENTRY ONLY



Project Title:

Integrated Acces Control System with RF Reader

Project Location:

Federal Secretariat Complex Phase 1 Abuja

Contractor:

Gazneftestroi Nig Ltd.

Schematic

Wiring Diagram Page 19 of 19

