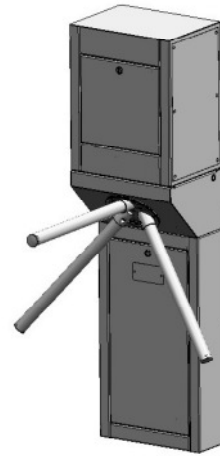
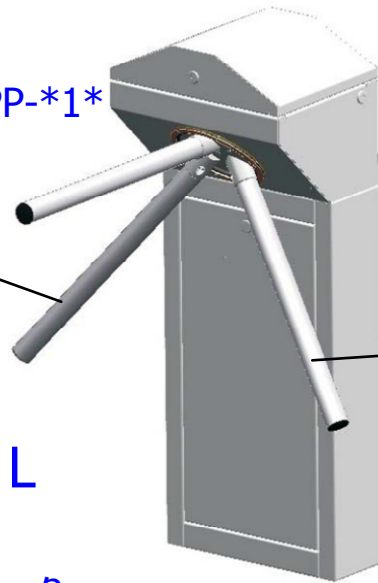


MPP-*3*



MPP-*1*



left

right

L

R

L

R

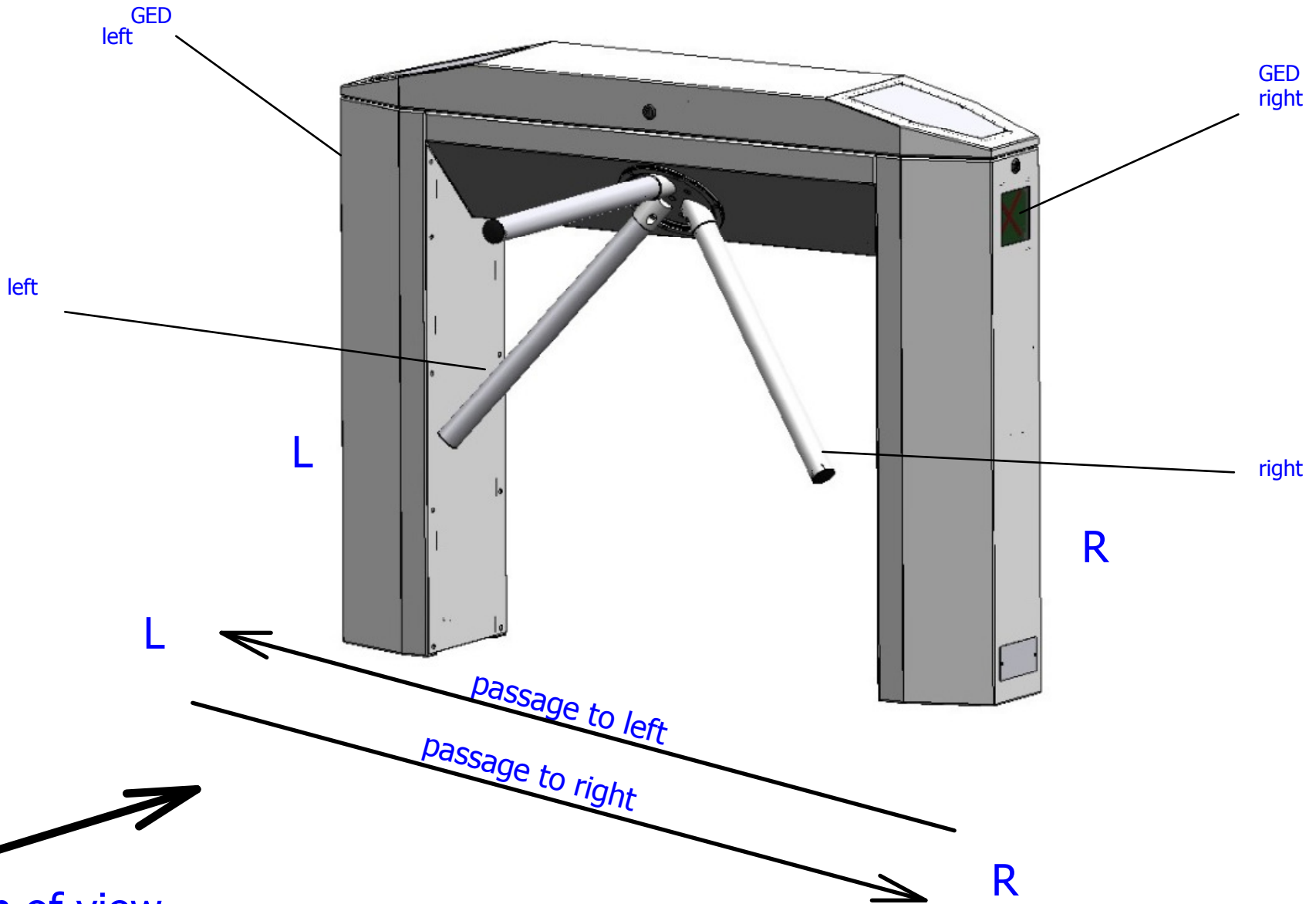
passage to left

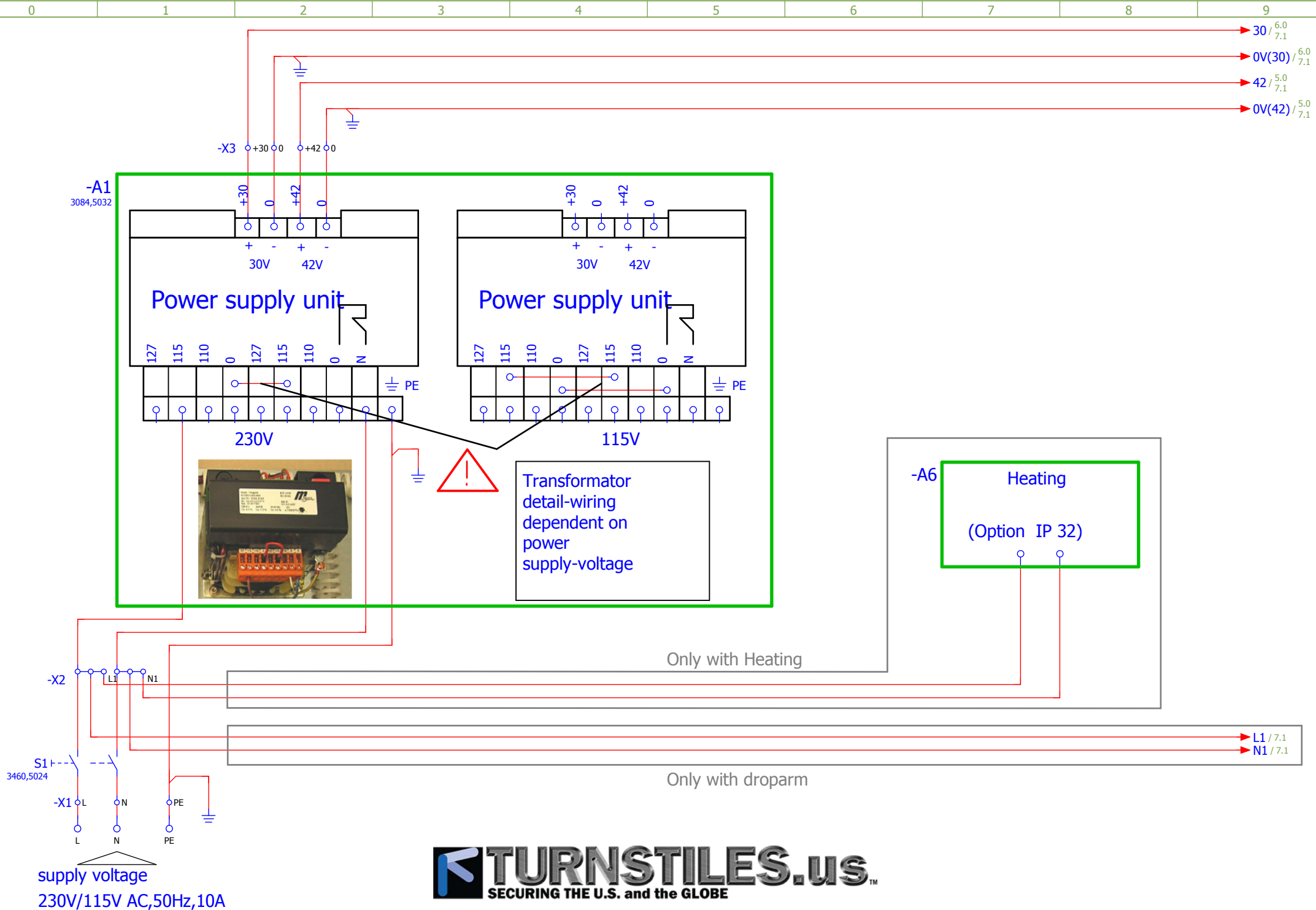
passage to right

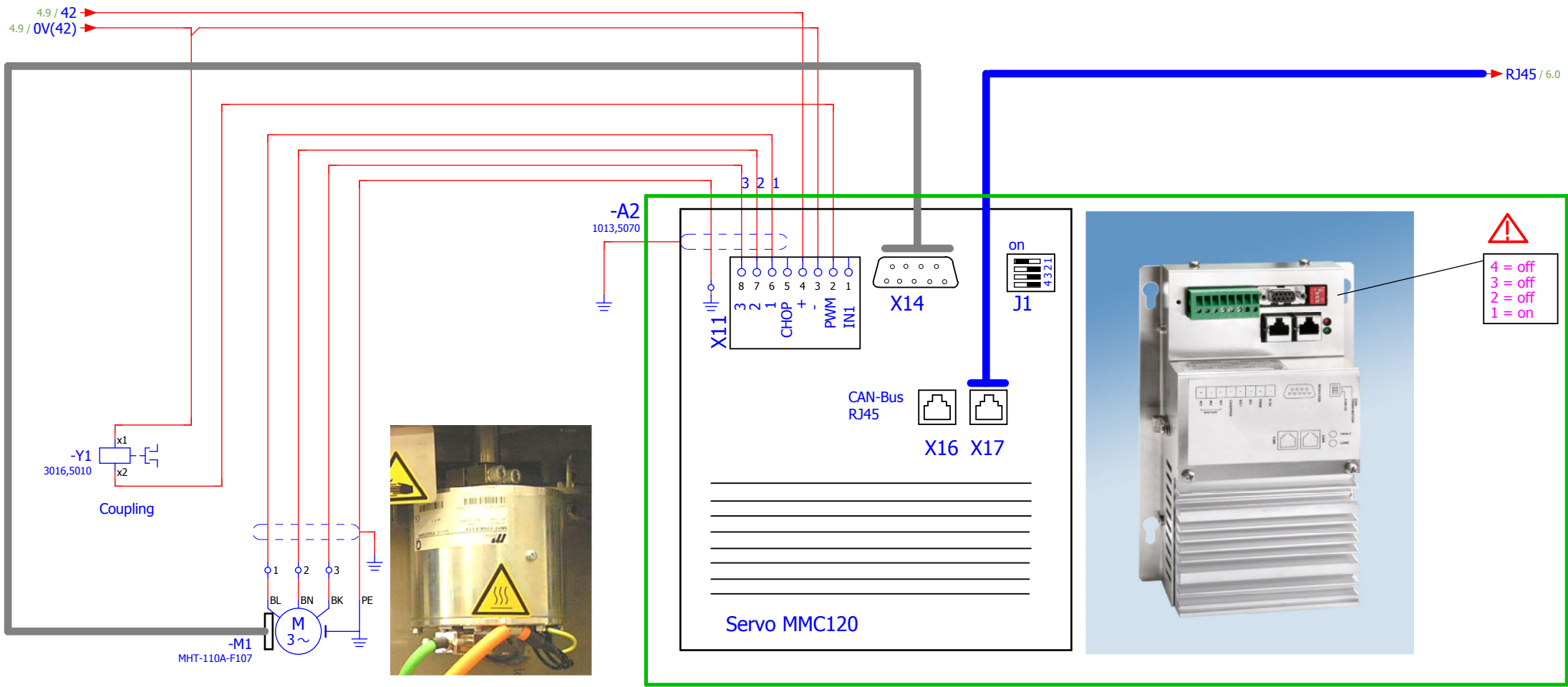
Direction of view



MPP-*2*







4.9 / 30
4.9 / OV(30)

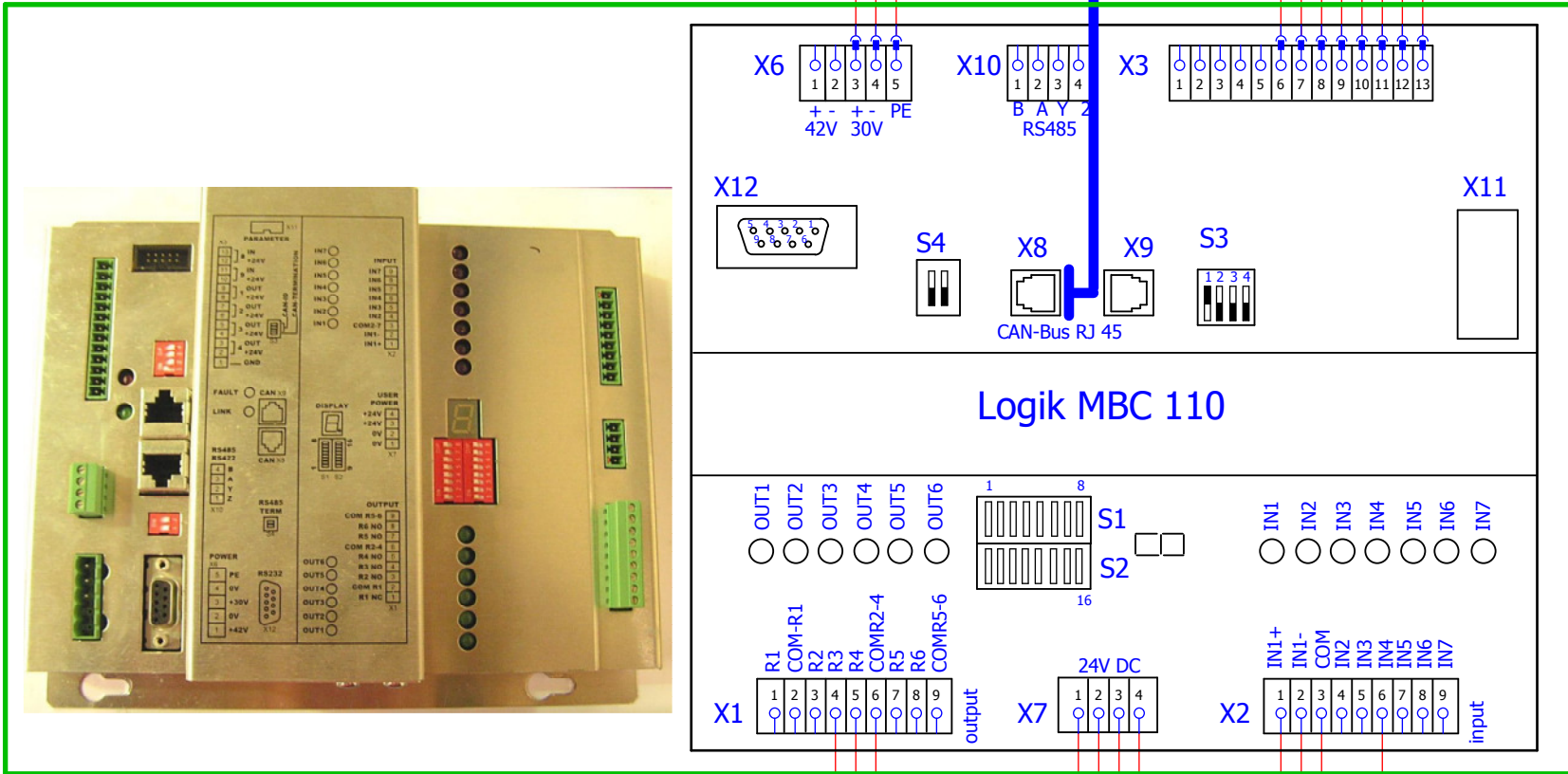
patch cable

5.9 / RJ45

Only with droparm

K6_Y1 / 7.1
K7_Y1 / 7.1
K8_Y2 / 7.1
K9_Y2 / 7.1
K10_K1 / 7.1
K11_K1 / 7.1
K12_S2 / 7.1
K13_S2 / 7.1

-A3
/9.0
1013,5069

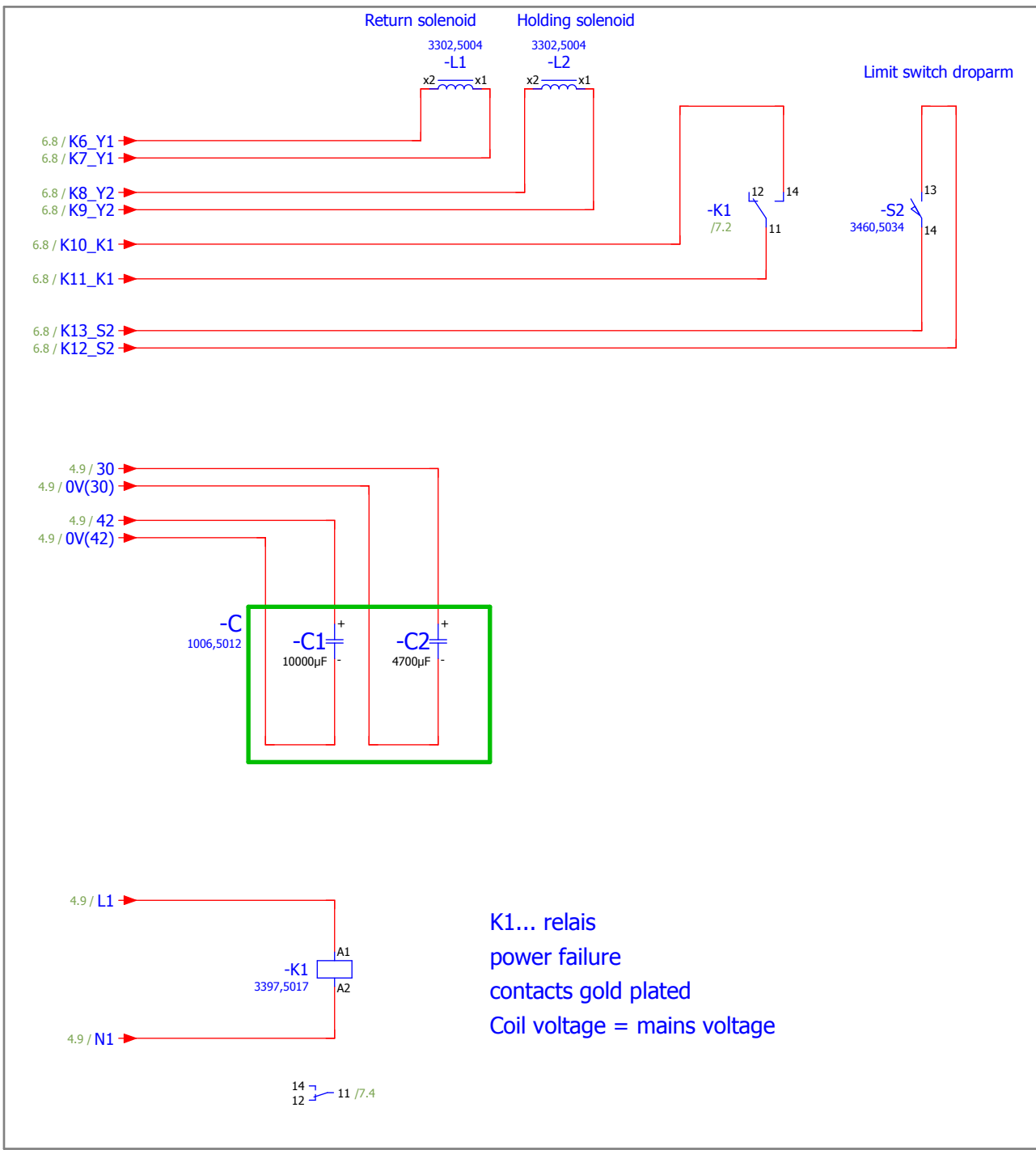


for details see terminal diagram

Only with GED

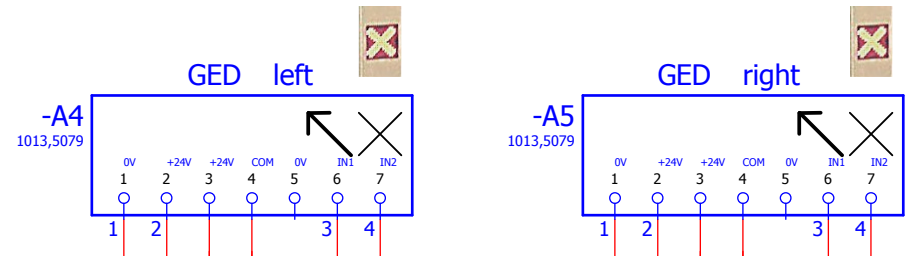
24V / 8.0
0V / 8.0
R4 / 8.0
R3 / 8.0



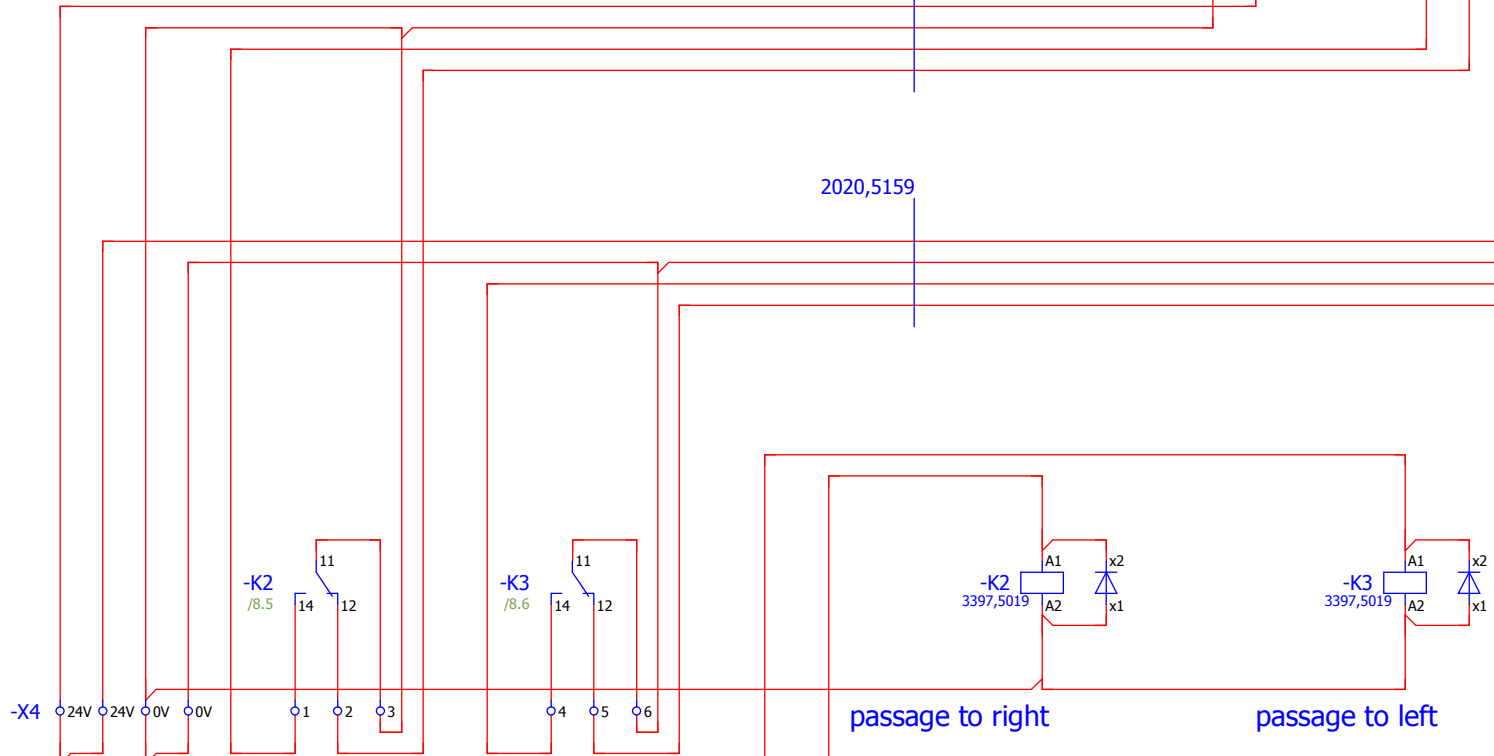


K1... relais
 power failure
 contacts gold plated
 Coil voltage = mains voltage





2020,5159
2020,5159



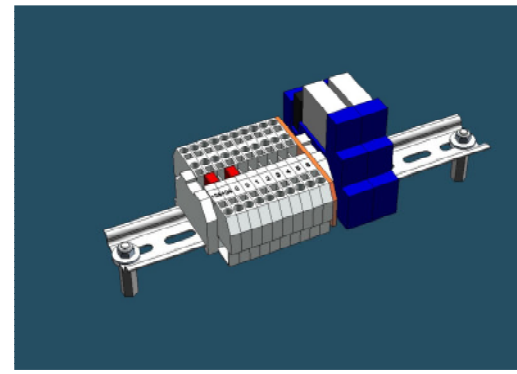
passage to right passage to left

14 / 12 11 / 8.1

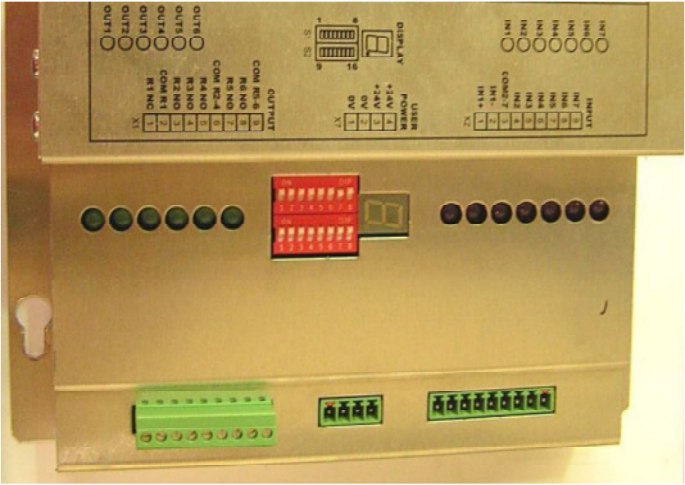
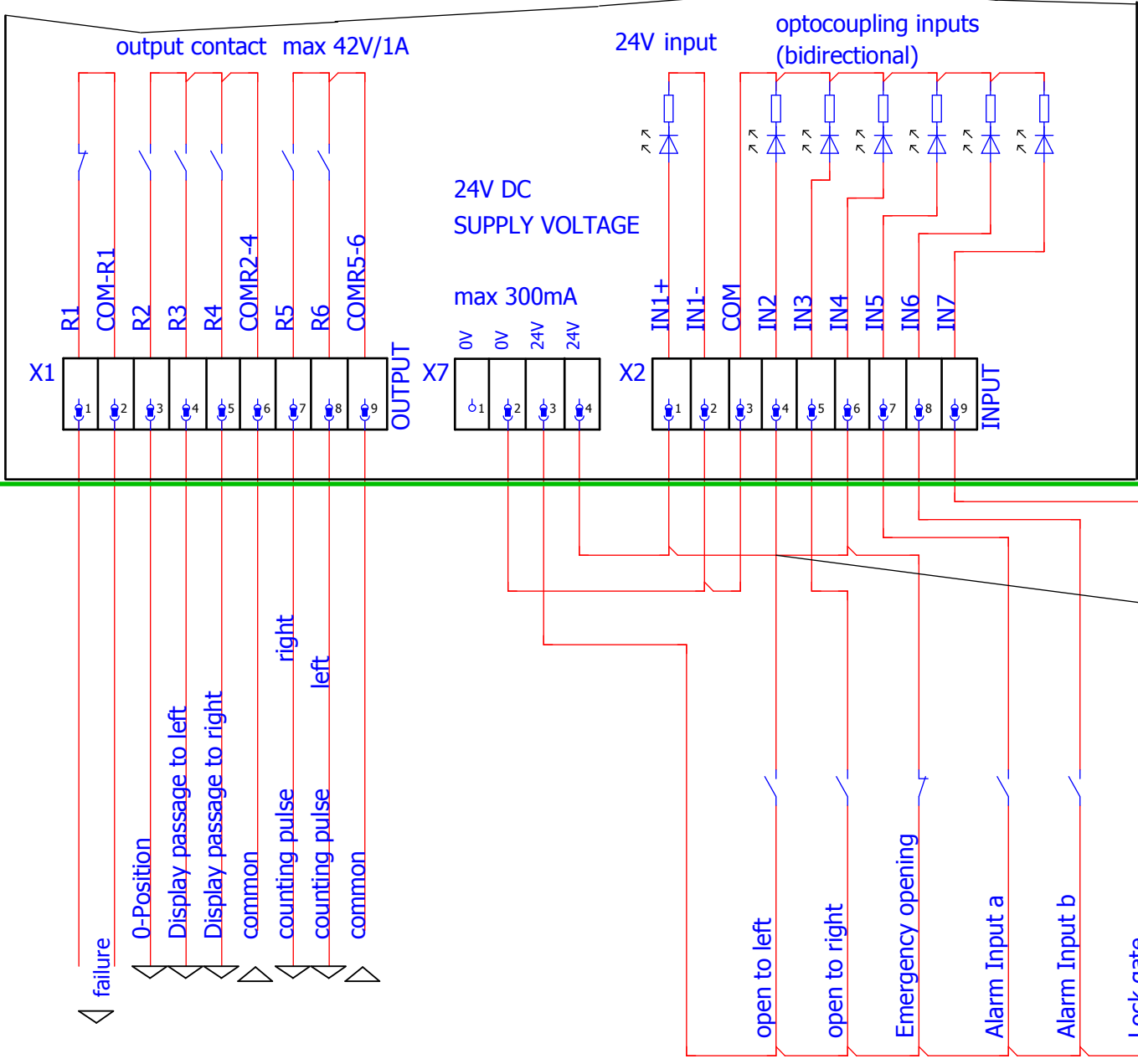
14 / 12 11 / 8.2

6.9 / 24V
6.9 / 0V

6.9 / R4
6.9 / R3



-A3
/6.0



Remove wire bridges when emergency contact is used