

The Stadium FastPass™ Series Waist-High Turnstiles

FP500-P

Portable Unit • Interior and Exterior Application

The Stadium FastPass™ Series is made for years of reliable service in high traffic/volume applications like stadiums, convention centers, landmarks and military bases. The cabinets are constructed of heavy 14-gauge, 300 series satin stainless steel and feature our Enduro Control Head (with auto indexing and shock suppression technology). Thousands are currently in use at leading pro-sports venues, amusement parks and high-profile attractions worldwide. The Stadium FastPass is the ticket to managing large crowds with reliability and speed.

Ask
about our fleet
of rental units.



FP500-P



8641 South Warhawk Road Conifer, CO 80433
(303) 670-1099 x11 Patrick.McAllister@Turnstiles.us

Portable • Interior and Exterior Application (Also available for rental.)

Applications:

This series is made for years of reliable service in high traffic/volume environments like stadiums, convention centers, amusement parks, landmarks and military bases.

Product Features:

Materials and Finishes:

Units are finished in your choice of:

- Our signature 304 stainless steel/ No. 4 satin finish
- Designer powder coat colors to match any décor

Design & Construction:

- Designed for secure & reliable operation with aesthetics in mind
- Cabinet inner and outer shells and cover are constructed of (14 gauge) 304 stainless steel/ No. 4 satin finish
- Arms constructed of 1 5/16" (33mm) diameter, (12 gauge) stainless
- Hub 4 1/2" (114mm) o.d. also made from stainless
- Minimal exposed hardware

Measures:

- Height: 37" (940mm)
- Width: 27 1/4" (692mm)
- Depth: 8 5/8" (203mm)
- Base: 28" x 30" (699mm x 762mm)

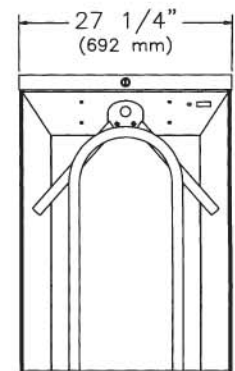
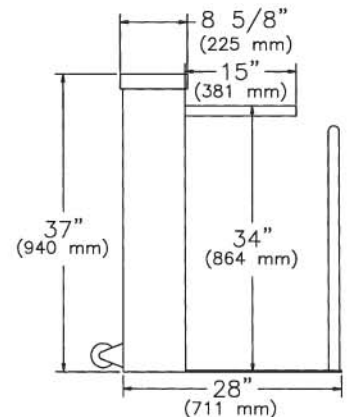
Controller & Access Control Operation:

- Self-centering control head with adjustable hydraulic shock suppression
- Hardened tool steel locking bars, cam and roller assemblies
- Permanently lubricated bearings
- All units are available in clockwise, counter-clockwise or bi-directional passage
- Keylock Feature - Control direction of travel manually by key (to lock/unlock), or may be used to override electronic controls

Options:

- Electronic lock modules include heavy-duty 24 vdc pull-type industrial solenoids:
- Available in each separate direction: fail-safe (open on power failure) or fail-lock (lock on power failure) modes
- Interfacing to card readers, computer attendance systems, coin and token acceptors, push buttons and wireless remote controls
- Electronic 6 digit resettable counter with LXD display and ten-year lithium battery
- Additional options available on request

Our matching ADA gate (model FP500-ADA with optional motorization) is available for the FastPass Series, along with coin, ticket and scanner units.



Electrical Specifications:

Command module input 110-240 VAC (2 amp-1 amp) 50-60 Hz; control voltage 24 VDC. All electrical components are UL recognized and CSA certified.

Standards and Codes:

Austenitic stainless steel: ASTM A240, A249, A276
 Hot rolled steel: AISI C-1020, AISI C-1018
 Hot dipped galvanizing: ASTM A-143, ASTM A-153-80
 Stainless steel fasteners: ASTM A-320
 American Welding Society (AWS) Standard D 1.1

Warranty:

Units are warranted against defects in materials and workmanship for a period of one year from date of delivery. See warranty information for specific details.

ENDURO™ Electronic Control Head

EA Controlled Traffic flow both directions

EB Controlled Traffic flow one direction, uncontrolled opposite direction

EC Controlled Traffic flow one direction, no traffic flow opposite direction

ENDURO™ Manual Control Head

MD Uncontrolled traffic flow one direction, no traffic flow opposite direction

MF Uncontrolled traffic flow both directions

MG Key controlled each direction

