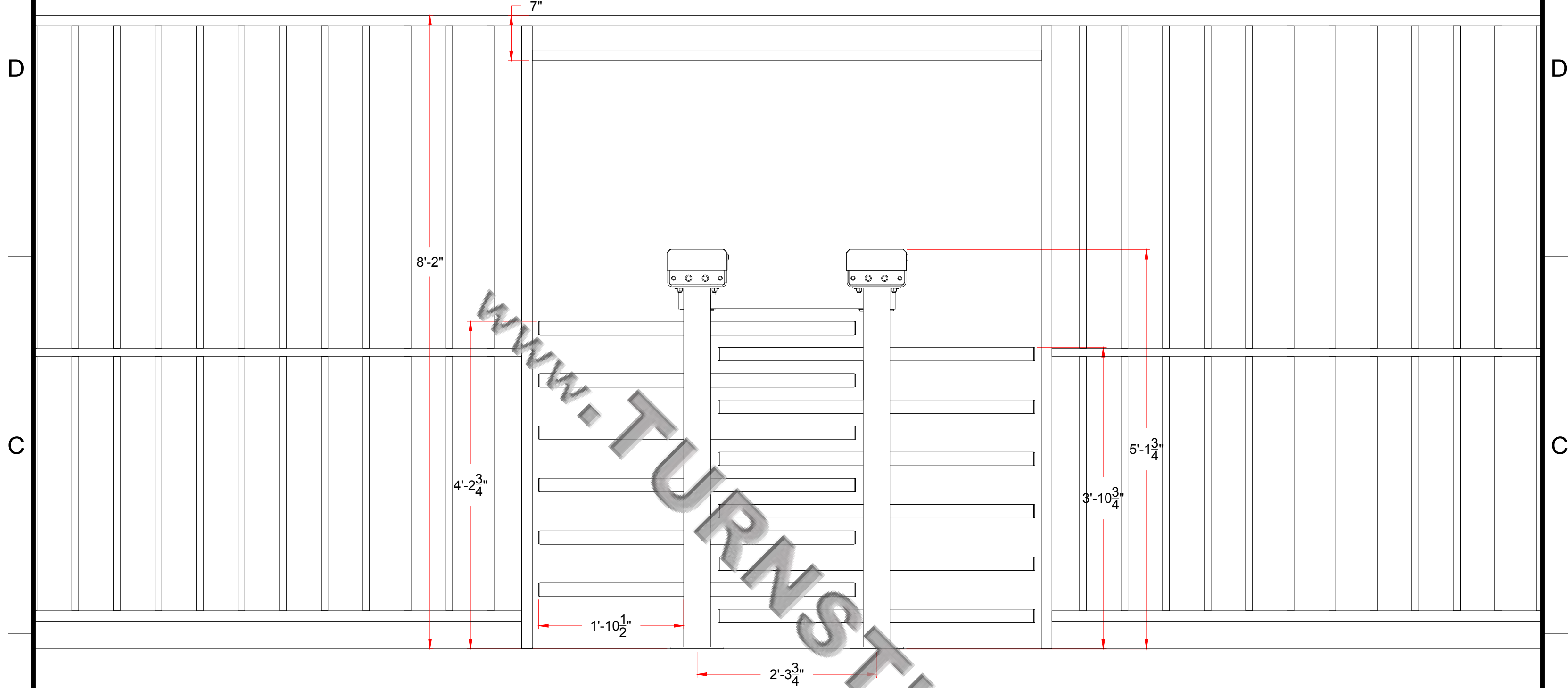
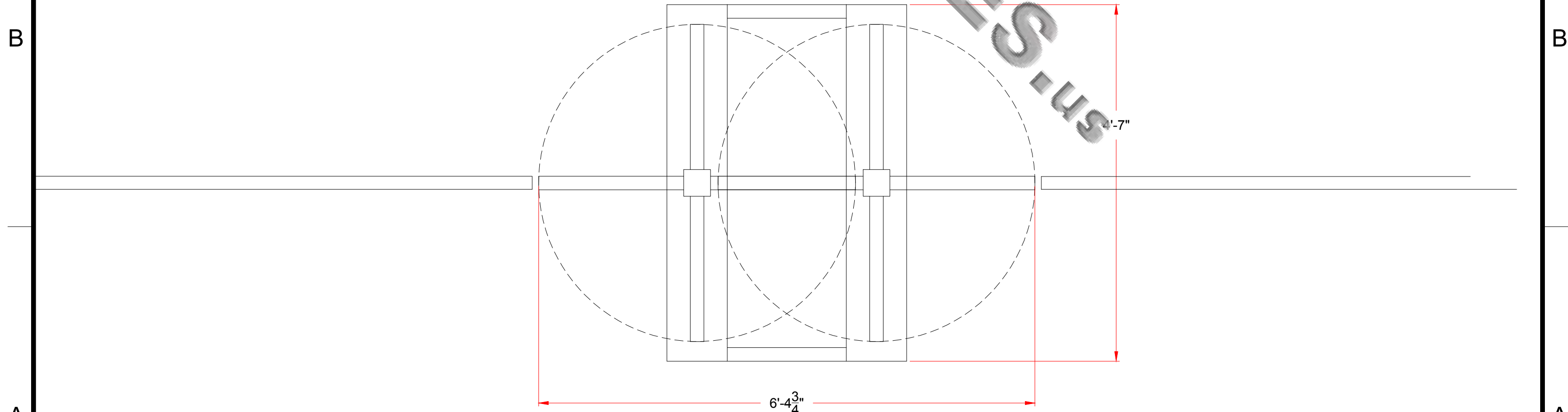


1 2 3 4  
 \* DIMENSIONS MAY VARY IN ACTUAL INSTALLATION - FABRICATION CHANGES RESERVED - FIELD MEASUREMENT MAY BE REQUIRED \*



TITAN DOUBLE ELEVATION



TITAN DOUBLE FLOOR PLAN

AUTHORIZED SIGNATURE: \_\_\_\_\_ DATE: \_\_\_ / \_\_\_ / \_\_\_

FIRST DRAWN	BY
10/19/2018	CP
REVISED	BY
10/09/2018	.

**www.TURNSTILES.us**  
 8641 South Warhawk Rd. Conifer, CO 80433  
 Patrick McAllister Tel: 303-670-1099

Equipment Location Detail	
101918 TITAN DOUBLE	
DWG	101918 Nutramax Laboratories
DATE	10/19/2018
SCALE =	< >
SHEET - 1 OF 1	