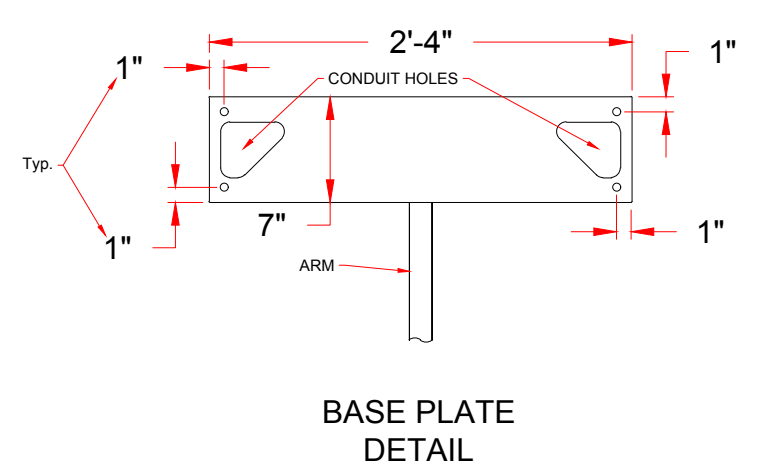
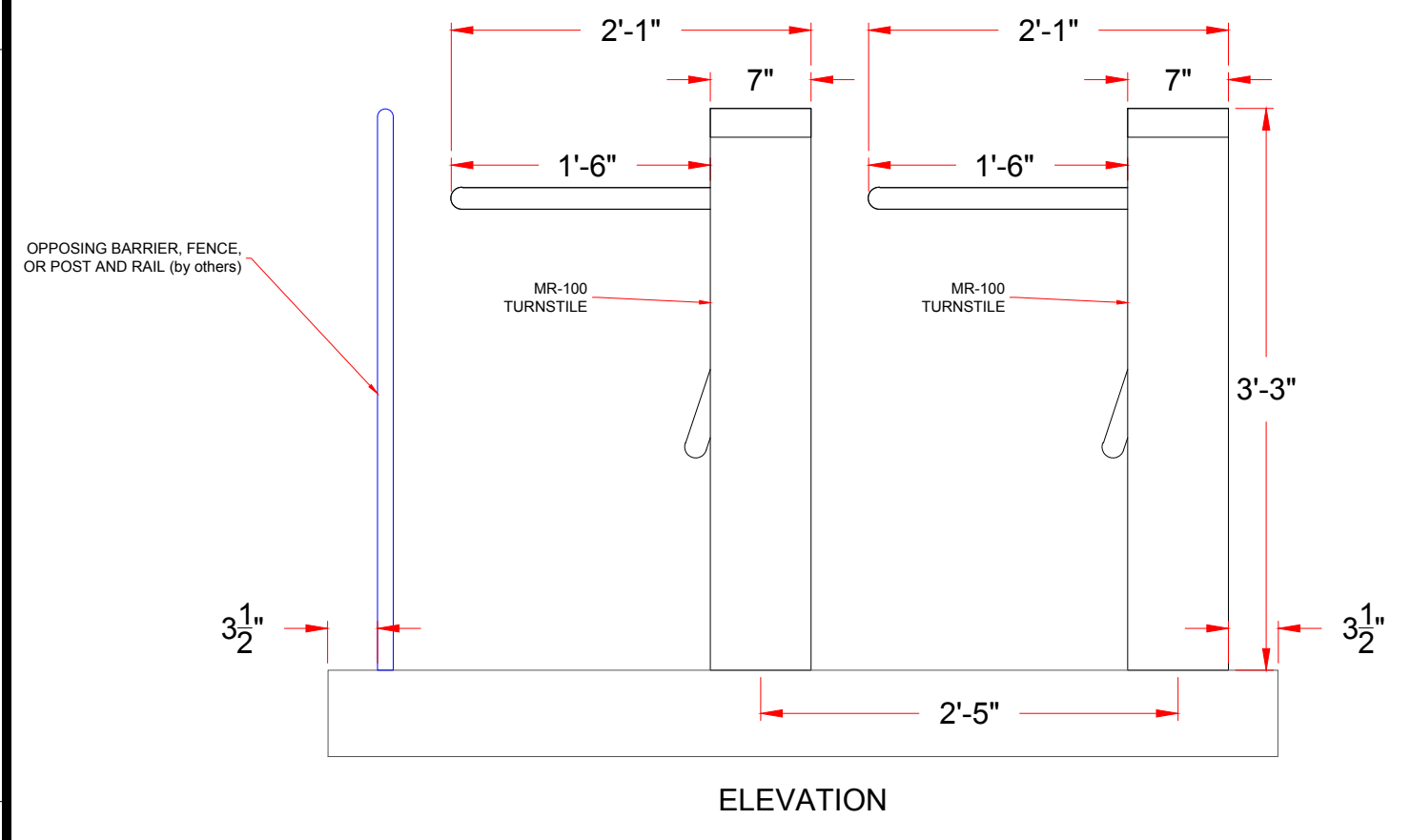
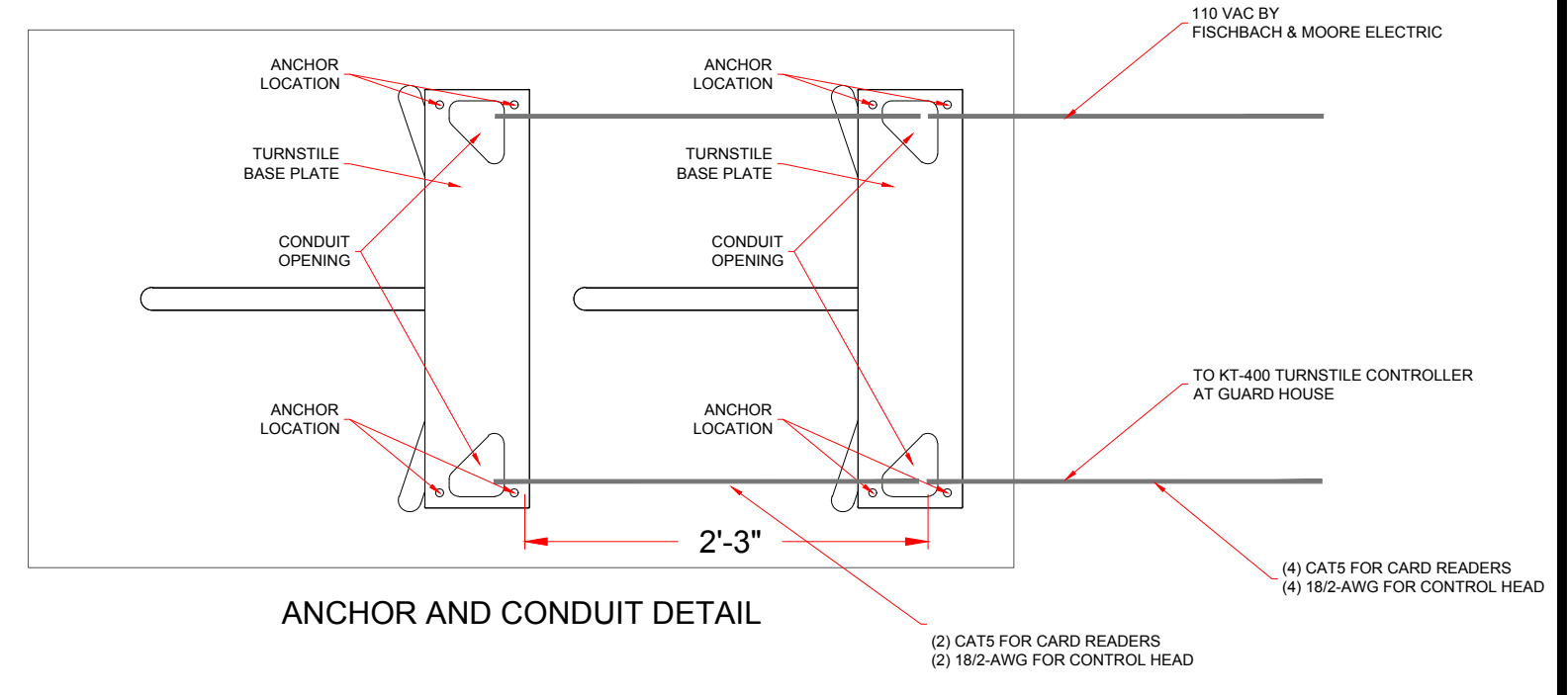
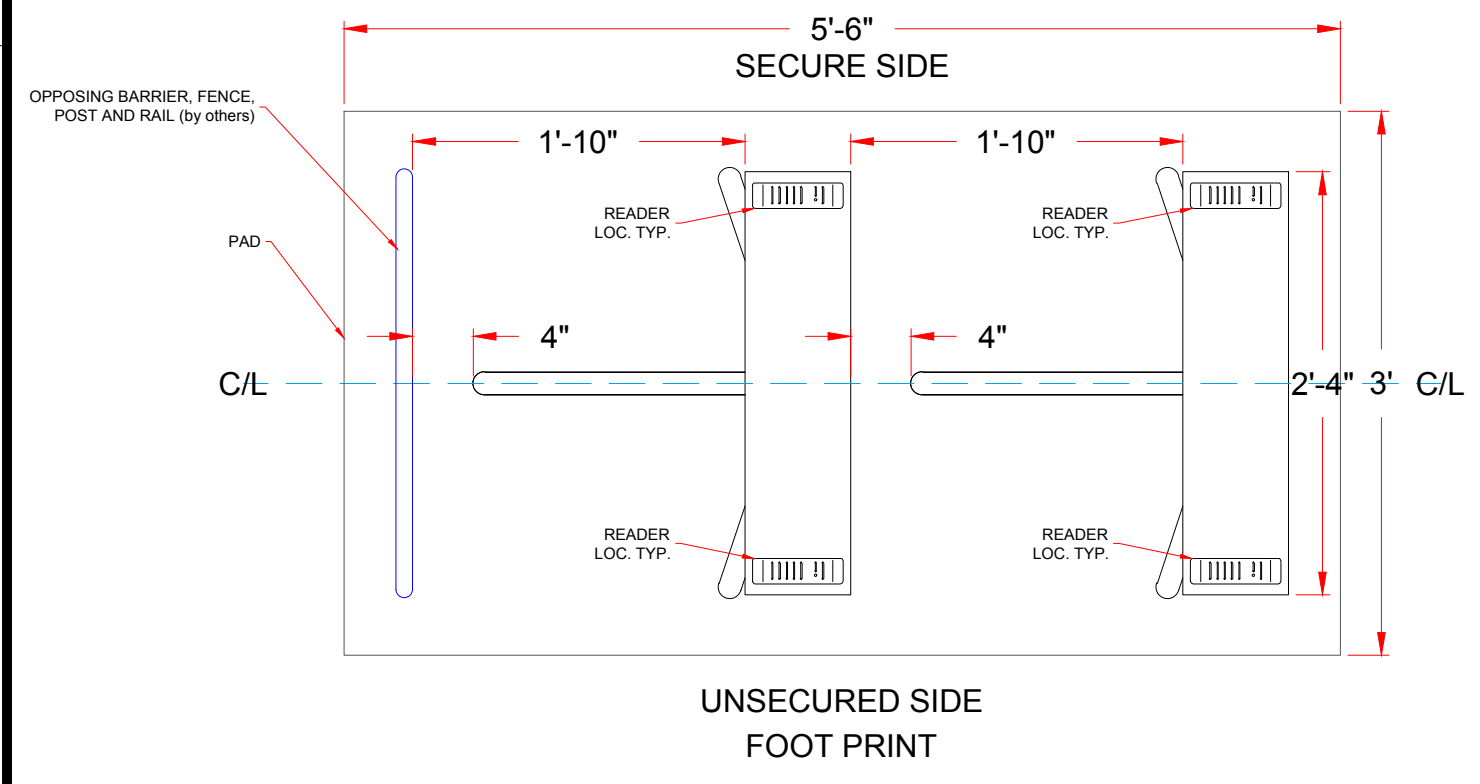


\* DIMENSIONS MAY VARY IN ACTUAL INSTALLATION - FABRICATION CHANGES RESERVED \*



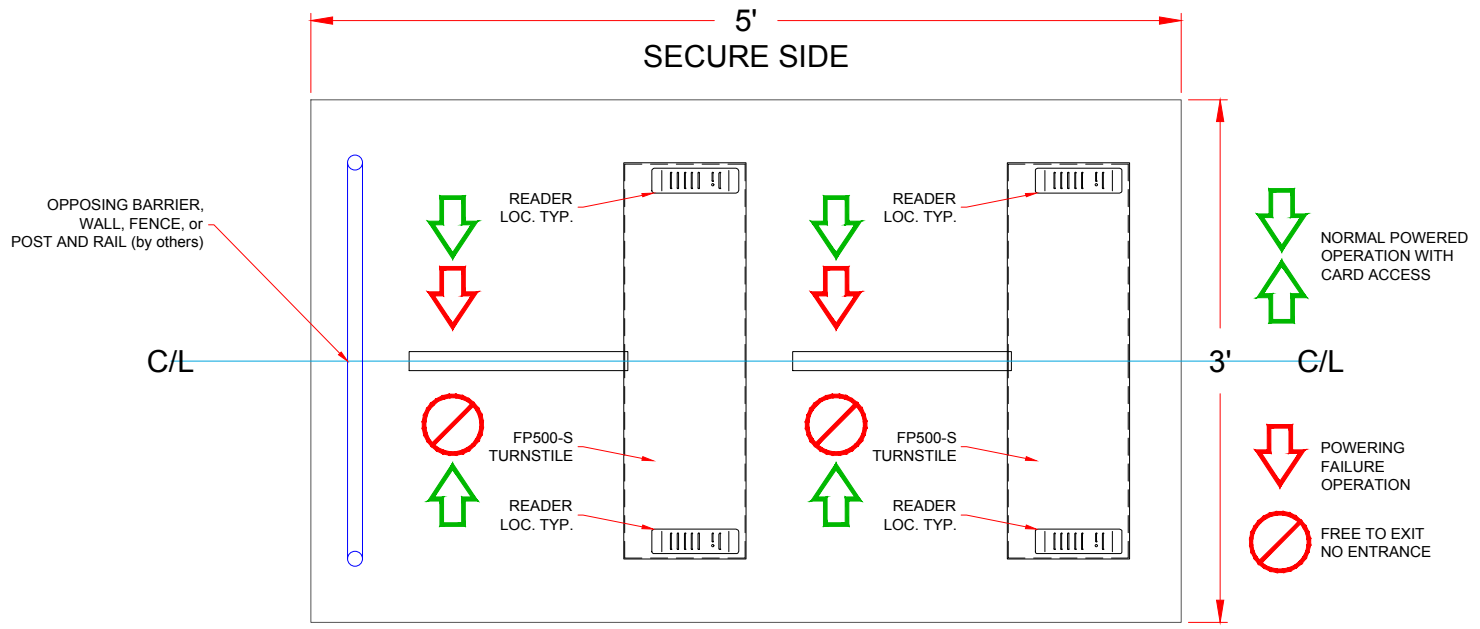
FIRST DRAWN	BY
08/11/15	CJC
REVISED	BY
08/13/15	CJC
08/14/15	CJC

**www.TURNSTILES.us**  
**8641 South Warhawk Rd. Conifer, CO 80433**  
**Patrick McAllister Tel: 303-670-1099**

DETAIL - DIMENSIONS	
MR-100 TURNSTILES DIMENSIONS AND PAD / CONDUIT LAYOUT	
DWG	081415 IBERDROLA MR-100 ELD REV-C
DATE	08 / 14 / 15
SCALE =	< >
SHEET - 1 OF 1	

AUTHORIZED SIGNATURE: \_\_\_\_\_ DATE: \_\_/\_\_/\_\_

\* DIMENSIONS MAY VARY IN ACTUAL INSTALLATION - FABRICATION CHANGES RESERVED \*



**UNSECURED SIDE  
FOOT PRINT**

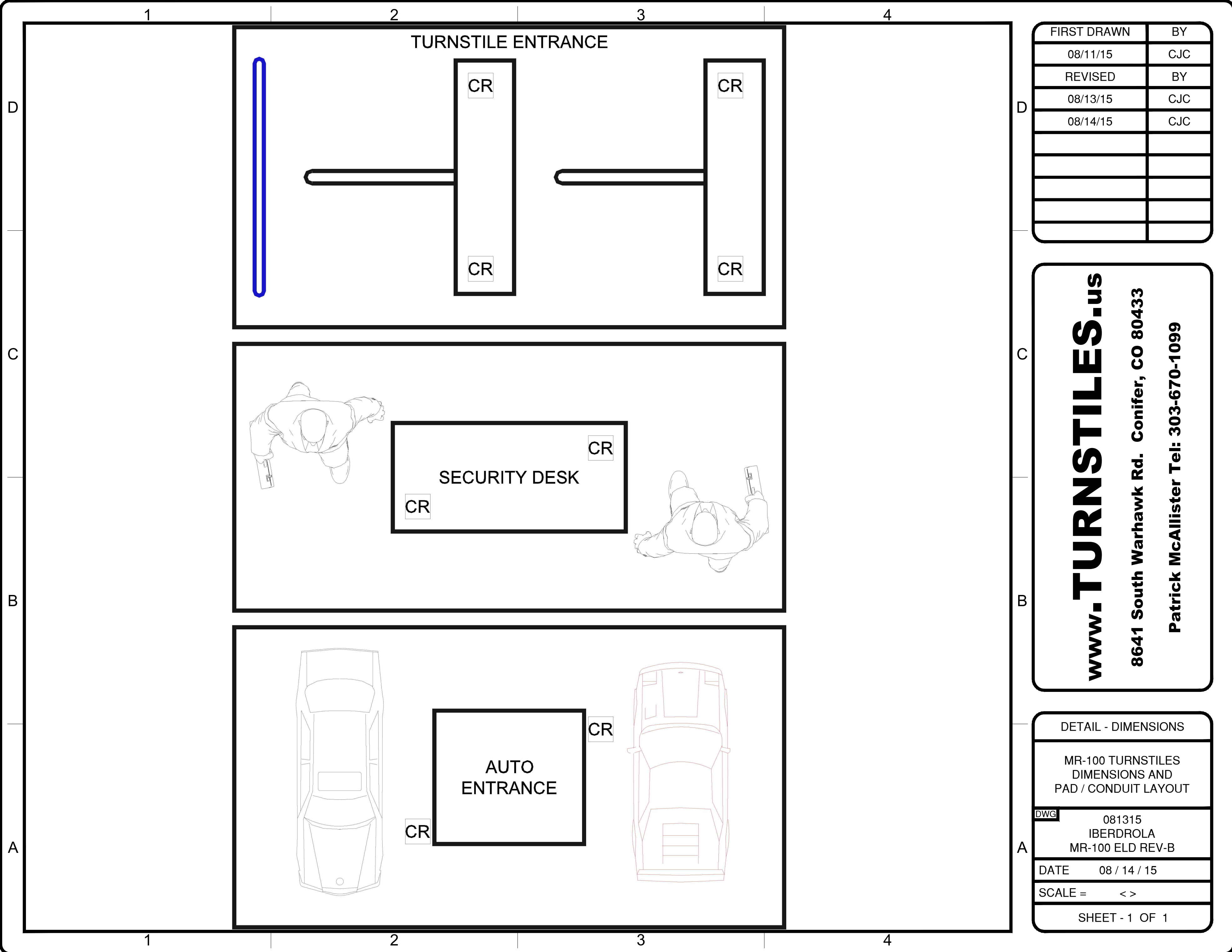
2-Way Access Controlled Entry and Exit  
 In case of power outage,  
 Entry becomes fail secure,  
 Locked - No Entrance into secure side  
 Exit becomes fail safe,  
 Unlocked - Free to Exit from secure side

AUTHORIZED SIGNATURE: \_\_\_\_\_ DATE: \_\_\_/\_\_\_/\_\_\_

FIRST DRAWN	BY
08/11/15	CJC
REVISED	BY

**www.TURNSTILES.us**  
 8641 South Warhawk Rd. Conifer, CO 80433  
 Patrick McAllister Tel: 303-670-1099

DETAIL - DIMENSIONS	
FP500-S TURNSTILES LAYOUT AND POWER FAIL SAFE/SECURE ILLUS.	
DWG	081115 IBERDROLA ELD
DATE	08 / 11 / 15
SCALE =	< >
SHEET - 1 OF 1	



FIRST DRAWN	BY
08/11/15	CJC
REVISED	BY
08/13/15	CJC
08/14/15	CJC

**www.TURNSTILES.us**  
**8641 South Warhawk Rd. Conifer, CO 80433**  
**Patrick McAllister Tel: 303-670-1099**

DETAIL - DIMENSIONS	
MR-100 TURNSTILES DIMENSIONS AND PAD / CONDUIT LAYOUT	
DWG	081315 IBERDROLA MR-100 ELD REV-B
DATE	08 / 14 / 15
SCALE =	< >
SHEET - 1 OF 1	