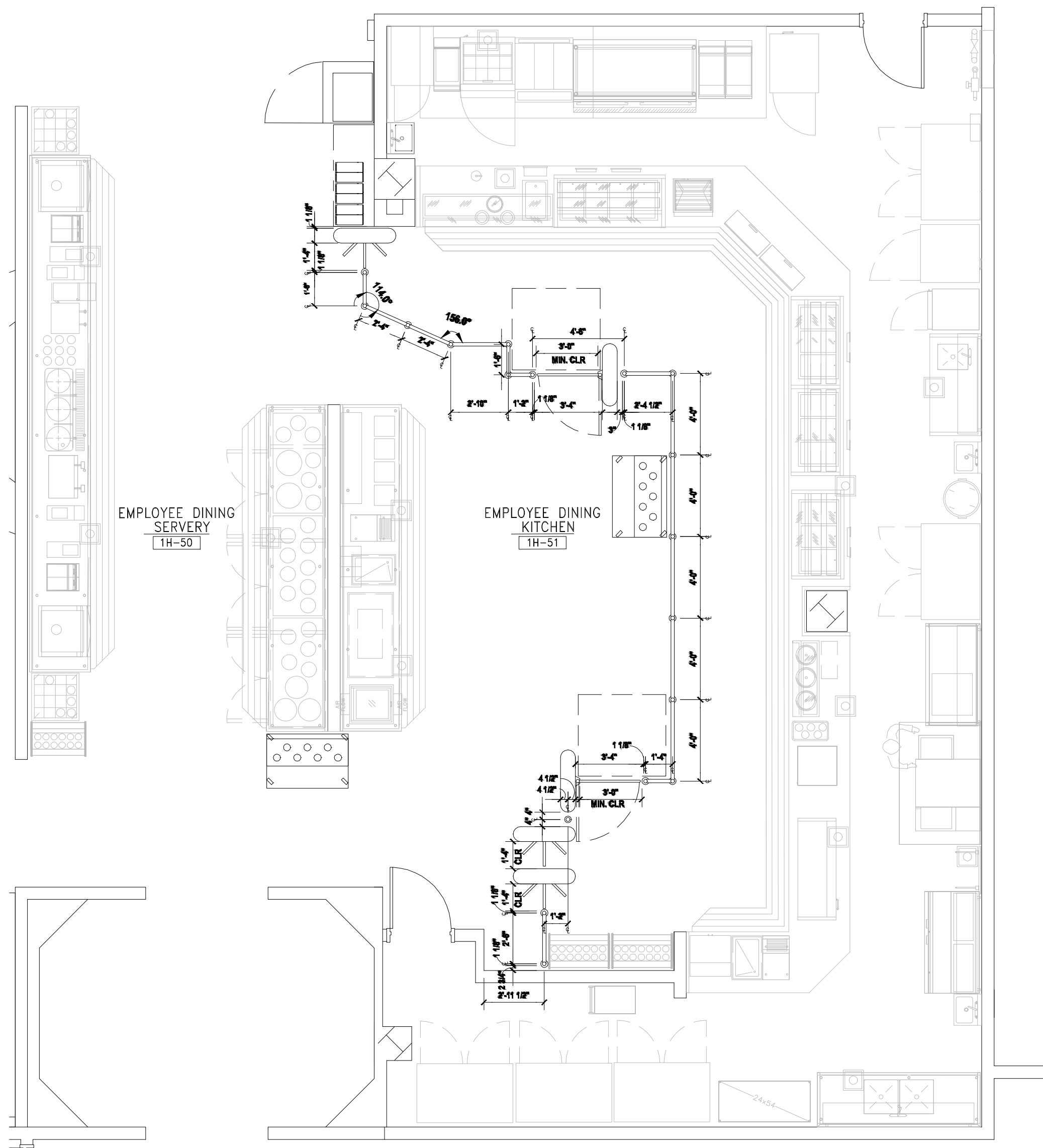
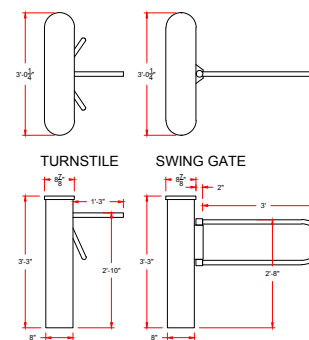


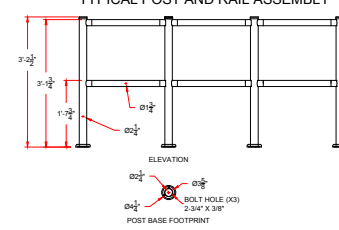
* DIMENSIONS MAY VARY IN ACTUAL INSTALLATION - DESIGN CHANGES RESERVED *



EX100 SERIES FLOOR PLANS & ELEVATIONS



TYPICAL POST AND RAIL ASSEMBLY



FIRST DRAWN	BY
01/05/17	CJC
REVISED	BY
01/10/17	CJC
01/18/17	CJC
02/27/17	CJC

www.TURNSTILES.us
 8641 South Warhawk Rd. Conifer, CO 80433
 Patrick McAllister Tel: 303-670-1099

EQUIPMENT LOCATION DETAIL	
Mangia Club EX100 SERIES Posts & Rails	
DWG	022717 Mangia Club ELD REV C
DATE	02 / 27 / 17
SCALE =	< >
SHEET - 1 OF 1	

1 LEVEL 1- FLOORPLAN
REF: A-BOH-1*

AUTHORIZED SIGNATURE: _____ DATE: ___ / ___ / ___